

# SERVICE PRODUCTS FOR Hi-psi COMPRESSORS



SERVICE KITS  
FOR YOUR REBUILD NEEDS



SPARE PARTS  
TO FIT YOUR COMPRESSOR



TOOLS &  
TECH SUPPLIES  
TO GET THE JOB DONE RIGHT



TECH HELP  
FROM THE  
COMPRESSOR COACHES



# New PARTS™

FOR PRO & DO IT YOURSELF REPAIR

**CONTENTS**

Terms & Disclaimer . . . . .	ii-iii
Introduction . . . . .	iv-vi

**PRODUCTS BY BRAND / CATEGORY***New Parts™ to fit Bauer*

## Service Kits

<i>Bearing Replacement Kit</i> . . . . .	1
<i>Complete Gasket Kit</i> . . . . .	1 - 2
<i>Ring Overhaul Kit</i> . . . . .	2 - 3
<i>Valve Overhaul Kit</i> . . . . .	3 - 4
<i>Miscellaneous Kit</i> . . . . .	4
<i>Full Overhaul Kit</i> . . . . .	4 - 5

## Individual Items

<i>Bearings</i> . . . . .	5 - 6
<i>Belts</i> . . . . .	6
<i>Condensate Drain</i> . . . . .	7
<i>Interstage Filters</i> . . . . .	8
<i>Electrical Components</i> . . . . .	9
<i>Fasteners</i> . . . . .	9 - 12
<i>Gaskets, Seals &amp; O-rings</i> . . . . .	12 - 19
<i>Gauges</i> . . . . .	19
<i>Intake Filters</i> . . . . .	20
<i>Intake Filter Elements</i> . . . . .	20
<i>Lube System</i> . . . . .	20 - 21
<i>O-rings - see Gaskets, Seals, &amp; O-rings</i>	
<i>Pistons &amp; Piston Rings</i> . . . . .	22 - 24
<i>Plumbing</i> . . . . .	25 - 26
<i>Seals - see Gaskets, Seals &amp; O-rings</i>	
<i>Valves</i> . . . . .	26 - 30
<i>Valve Heads</i> . . . . .	31 - 33

*Tools & Technical Supplies*

Miscellaneous . . . . .	33
Metric Fittings . . . . .	33
Specialty Tools . . . . .	34
Compressor Greases . . . . .	34
Compressor Oils . . . . .	35 - 36

**INDEX**

Products by Cross Fit Part No. and Compressor Model No. . . . .	37 - 57
Products by NewPart No. and Compressor Model No. . . . .	61 - 81

**CONTACT US****Address:**

Lawrence Factor, Inc. 4740 NW 157 Street, Miami Lakes, Florida 33014

**Phone:** 305 430-0550 or 800 338-5493 **Fax:** 305 430-0864 **Email:** L-Factor@ix.netcom.com

**GENERAL INFORMATION**

**Agreement Upon Access:** When accessing catalog and web pages of Lawrence Factor or New Parts, you agree to all the terms herein. Do not continue if you do not agree:

**Information:** This web site (the "Catalog" or "Site") has been prepared only for the purpose of providing general information to the public. This Catalog or Site is provided "as is" with no representation or warranty of any kind, either expressed or implied, having been made as to the completeness, accuracy or reliability of the information in this Catalog or Site. You expressly acknowledge that this Catalog or Site may contain incomplete information, errors, or it may be outdated. The information herein is furnished for informational use only, is subject to change without notice, and should not be construed as a commitment by Lawrence Factor, Inc ("L-Factor"). L-Factor assumes no responsibility for any errors or inaccuracies that may appear. L-Factor reserves the exclusive right to add, delete or modify any information in the Catalog and Web pages or withdraw the access to the pages at any time and disclaims any duty to update any information contained herein.

**Damages In Use of Catalog or Site:** L-Factor shall not under any circumstances be liable for any direct, consequential, incidental, secondary or special damages or lost profits whether resulting from the use or inability to use this Catalog or Site, and you hereby waive release any such claim. Furthermore, L-Factor does not warrant or represent that its Site or the server are free of defects, errors or viruses.

**Ownership:** The contents of the Catalog and Web pages are fully owned by L-Factor. Reproduction, modifications, transfer or distribution of the contents of the pages, entirely or partially, in any form without prior written permission of L-Factor is prohibited.

**Suitability For Use:** L-Factor has no control over the use of any product and therefore expects the user to exercise good judgment as to the proper selection, installation, use and maintenance of any product. L-Factor assumes no responsibility for damage or injury of any kind due to misuse or improper application of any way by any person.

**Aftermarket Use:** X-pendable filter cartridges, New Parts compressor parts, and many other items depicted in the pages are intended and sold for aftermarket use only. Part numbers, graphics, photos, trade names, and corresponding printed matters are not intended to imply that any items in this Catalog or Site are original brand products. Although the quality of most of the items listed herein equals or exceeds the performance of the original brand, none of these items are manufactured for/ by or associated with the original manufacturer. L-Factor in no way represents itself or its products to be related to the OEM or their brands.

**PRICING**

Prices are in U.S. dollars and subject to change without notice. Prices may vary for orders beyond US and Canada. All sales are C.O.D. or prepaid by American Express, Visa or MasterCard thus saving the C.O.D. fee.

**Payment:** All sales are C.O.D. or prepaid by Visa or MasterCard (thus saving the C.O.D. fee). Non-Sufficient Fund Checks: \$25.00 charge per check will be assessed. A second NSF check will incur an additional \$10.00 charge and result in future orders that are prepaid or C.O.D. cash only.

**SHIPPING**

You may request your preferred method of shipping when placing orders. Should you not specify a method, L-Factor will ship via the most suitable method for your area. Once products are delivered to the carrier - the shipment is considered delivered to the customer and we decline any responsibility from that point on. Claims for damage or shortage must be made immediately with the carrier. If a shipment is refused or returned, all incurred shipping charges will be billed to the customer. All shipments are Free On Board ("F.O.B.") our Miami Lakes plant. Delivery to carrier constitutes delivery to the purchaser. Claims for damage in transit must be placed within 10 days of receipt of product

Lawrence Factor, Inc.® does its best to process orders the same business day if received before noon (EST). Orders received after noon (EST) are processed the next business day. Upgrading the shipping method only reduces the time your order is in transit. It does not speed up the process time. All orders are shipped Monday through Friday, excluding holidays.

Oversea delivery is available. Please note - delivery times vary. You must contact the carrier to check their delivery commitment for specific locations.

Orders addressed to an APO, FPO, or a P.O. Box will be sent via United States Postal Service. Next Day Service is not available.

**Methods Offered:**

**UPS:** All shipments are insured & traceable. Saturday delivery is available at an additional \$10.00 (US Only). C.O.D. is available in some areas. There is an additional fee for this service. (US Only)

Red = next business day  
Blue = 2 business days  
Orange = 3 business days  
Ground = 3 or more business days

**FedEx:** All shipments insured and traceable. Saturday delivery is available at an additional charge. C.O.D. is available in some areas. There is an additional fee for this service.



Next Day = next business day  
 Second Day = 2 business days  
 Three Day = 3 business days

**FedEx Ground:** *All shipments insured and traceable. C.O.D. available*

FedEx Ground = 3 or more business days

**US Postal:** *Uninsurable. No traceability. L-Factor is not responsible for losses.*

Express = next business day  
 Priority = 2 to 3 business days  
 Air Mail = 4 or more business days

**Back Orders:** L-Factor tries its best to ship all orders complete. Should an item be on back order, it will be shipped as soon as possible using the same terms and shipping methods as the original order unless specified.

**Returns:** We are confident that you will be satisfied with our product. But in the event you need to return your merchandise, at our discretion, we will offer you an exchange or a refund for the cost of the product. (Note: Shipping costs will not be refunded.) Lawrence Factor reserves the right to charge a re-stocking fee of up to 25%, at our discretion. Non-stock or special order items may not be eligible for return. Simply pack the product in its original packing material and enclose a copy of the invoice with the item(s) you are returning circled. Please contact us via email or call us Monday - Friday 8:00 a.m. to 5:00 p.m. at 305 430-0550 for return authorization and instructions.

**Limits of Liability:** Liability is limited to refund or replacement of purchased item(s) only.

## PRODUCT WARRANTY

Lawrence Factor<sup>®</sup> warrants to the original purchaser or our products that those products will be free from manufacturing defects in material and workmanship for a period of 90 days from the date of original purchase. During this period, Lawrence Factor<sup>®</sup> will, at its option, perform repairs or replace the defective product free of charge, or will refund the purchase price.

This warranty does not apply to normal wear and tear, abuse, neglect, unreasonable use, mistreatment, failure to follow the product instructions, or consequential damage. Modification or repair made by anyone not authorized by Lawrence Factor<sup>®</sup> will void this warranty.

This warranty and remedies set forth above are exclusive and in lieu of all others, whether oral or written, expressed or implied. No Lawrence Factor<sup>®</sup> dealer, agent, or employee is authorized to make any modification, extension, or addition to this warranty. Lawrence Factor, Inc.<sup>®</sup> is not responsible for special, incidental, indirect or consequential damages resulting from any breach of warranty, or under any other legal theory, including but not limited to loss of profits, downtime, goodwill, damage to or replacement of equipment and property, and any costs of procurement of substitute goods, technology, or services.

## COPYRIGHTS & TRADEMARKS

The information contained within this Catalog or Website pages are the property of Lawrence Factor, Inc under the protection of US copyright law. No part of this book may be reproduced in any form or by any means, electronic or otherwise, without the written permission of Lawrence Factor, Incorporated.

**L-Factor Trademarks:** Aero Lube, CO-Cop, Lab on Locale, L.F.W., L-Factor, Lawrence Factor, Monoxycon, New Parts, Oxy Lube, Seco Lube, Vaporshell, and X-tractor are TRADEMARKS of Lawrence Factor, Incorporated. X-pendable, X-zam, and Lawrence Factor are REGISTERED TRADEMARKS of Lawrence Factor, Incorporated.

**Other Trademarks:** A2LA is a registered trademark of American Association for Laboratory Accreditation. Aero Dri is a registered trademark of Kiko, Incorporated. Air Dry Corporation of America is a registered trademark of Air Dry, Corporation. American Bristol is a registered trademark of American Bristol, Industries. ANDI is a registered trademark of American Nitrox Divers, Incorporated. Bauer Compressors is a registered trademark of Bauer Compressors, Incorporated & Bauer Kompressoren, GMBH. Bristol Pneumatics is a registered trademark of Bristol Pneumatics, Limited. C.G.A. is a registered trademark of Compressed Gas Association, Incorporated. C.S.A. is a registered trademark of Canadian Standards Association. Coltri-Sub is a registered trademark of Aerotecnica Coltri, Incorporated. Deltech and Del-Monox is a registered trademark of Deltech Engineering, Incorporated. Eagle Compressors is a registered trademark of Eagle Compressors, Incorporated. Fluid Concepts is a registered trademark of Fluid Concepts, Incorporated. Hamworthy is a registered trademark of Hamworthy USA, Incorporated and Hamworthy Engineering, Limited. Ingersoll-Rand is a registered trademark of Ingersoll-Rand, Company. Innerspace Research is a registered trademark of Innerspace Research, Incorporated. Jordair is a registered trademark of Jordair Compressors, Incorporated. Mako Compressors is a registered trademark of CompAir Mako, Incorporated. Max-Air is a registered trademark of Max-Air Compressors, Incorporated. Midland Diving Equipment is a registered trademark of Midland Diving Equipment, Limited. N.A.V.S.E.A. is a registered trademark of Naval Sea Systems Command. N.F.P.A. is a registered trademark of National Fire Protection Association. Nautica is a registered trademark of Nautica, Incorporated. O.S.H.A. is a registered trademark of Occupational Safety and Health Administration. Poseidon Compressors is a registered trademark of Poseidon Kompressoren GEMSBH & Bauer Compressors Inc. Pressure System is a registered trademark of Pressure System, Incorporated. Robbins Aviation is a registered trademark of Robbins Aviation, Incorporated.

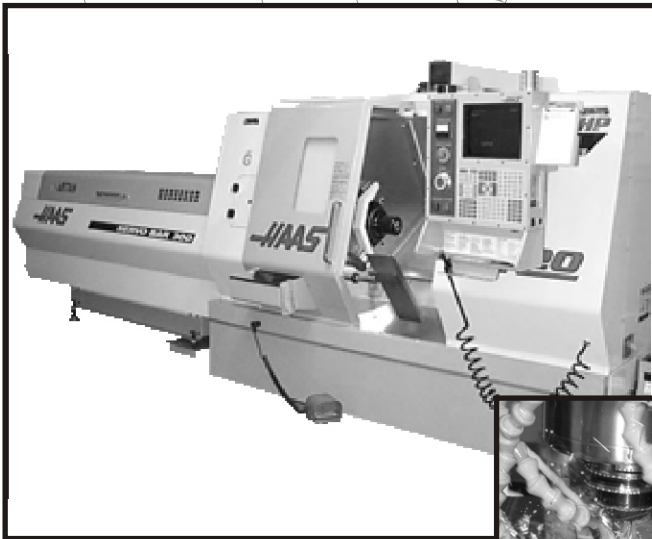
**Aftermarket Use:** X-pendable filter cartridges, New Parts compressor parts, and many other items depicted in the pages are intended and sold for aftermarket use only. Part numbers, graphics, photos, trade names, and corresponding printed matter are not intended to imply that any items in this Catalog or Website are original brand products. Although the quality of most of the items listed herein equals or exceeds the performance of the original brand, none of these items are manufactured or associated with the original manufacturer. L-Factor in no way represents itself or it's products to be related to the OEM or their brands.

Lawrence Factor, Incorporated ©, 4740 NW 157 Street, Miami Lakes, Florida 33014



# New Parts™

“how to” tips, guides, and coaching



ABOVE: ONE OF OUR COMPUTER DRIVEN LATHES



## MADE WITH VITALITY, WIZARDRY, AND ACCURACY

Your compressor is as vital to your operation as the air that feeds it. And it's with that same vitality that New Parts™ produces world-class replacement parts for it.

The New Parts™ collection of products makes it a snap to keep any high-pressure compressor performing at its best . . . or better! Better, because New Parts™ are produced to standards that perhaps even the OEM\* didn't envision. We can say that boldly, knowing that New Parts™ are designed with the magic of our engineering wizardry. They are then manufactured using the latest in high performance materials, combining good old-fashioned craftsmanship with the accuracy of computer driven tools. The results are replacement parts that achieve the ultimate in fit and wear factors. This means that you can count on New Parts™ to install easily, run well, and - to run long.

New Parts™ - there's no equal for “High Performance at High Pressure”.

\*OEM= Original Equipment Manufacturer



big selection fits many brands



### THE COMPANY BEHIND NEW PARTS™

After 25 years of manufacturing high-pressure purification products, L-Factor has come to be known for quality, innovation, fair pricing, and homespun service - a place where a satisfied customer is our biggest accolade. But it's our roots in Hi-psi compressors & decades of experience with Hi-psi gases that equips L-Factor to produce New Parts™. Located on our 2-acre campus, the New Parts™ facilities include the resources of an ISO accredited research facility, a fully fitted CNC machine shop, and a streamlined assembly floor. Our craftsmen are determined individuals who pride themselves on perfection and every detail in New Parts™ reflects that pride.

If you expect performance in compressor spares - choose New Parts™. If you prefer a company who performs - choose Lawrence Factor®, a company known for world-class performance.



### A TOTAL DO-IT-YOURSELF CONCEPT

Browse our catalog and you'll discover a big selection of spare parts. Parts such as service kits, valves and heads, pistons, bearings, gaskets . . . you name it. Oh and speaking of names - we offer New Parts™ to fit many brand named models and the options are constantly expanding. That means that no matter which brand compressor you own, or if you own a number of brands, you have only to make one stop to find everything you need.

A bit unsure that you are choosing the correct part? With 3 cross-fit indexes - our catalog layout makes it easy to locate the exact New Part™ you need. Have a question or need advice? Simple - phone us and one of our Compressor Coaches is at your service. And, New Part™ support doesn't end there. Enter our DIY website - and you'll find a world of help from troubleshooting guides, to service tips, to complete Do-It-Yourself coaching. Beyond their convenience, fit, and performance - New Parts™ are a total Do-It-Yourself repair concept.



perfect for the do-it- yourselfer

Material: 6061-T651 Tolerance on machined surfaces +/- .002 unless specified	4720 Northwest 157th Street Miami Lakes, FL. 33014	REV.
All parts are to be free from burrs and sharp edges.	FOURTH STAGE HEAD	
Eng. J. Weadon	DATE: MARCH 26, 1998	PART NUMBER

**Finding New Parts™: with worldwide representatives, you can locate New Parts™ almost anywhere or enlist a service-tech to conduct the work. Contact customer service via e-mail (info@compressor-parts.com) or 305-430-0550 in order to find a New Parts™ agent near you.**

# KIT IDENTIFICATION CHART

Compressor Model KITS, for	NP-2201-0xxxAK VALVES	NP-2202-0xxxAK GASKETS	NP-2203-0xxxAK BEARINGS	NP-2211-0xxxAK RINGS w/ P&B	NP-2250-0xxxAK OVERHAUL
Varius	398	196	452	410	
Purus	432			410	
UT-10	398	196	452	410	
Junior II	399	396	452	411	439
Oceanus II	399	396			
Utilus- H	197	200	407	412	440
Capitano	198	200	403	414	441
Capitano II	400	394	408	415	442
Mariner	199	201	404	416	443
Mariner II	401	474	408	417	444
K14- 85				418	
K14- 95, Mod 6	202	204	405	418	446
K14- 12, Mod 7	203	205	406	418	447
K12- 14, II	397	395	409	419	445
K15	402	206	450	420	448
K150					
K180, K20	488	491	451	421	449
IK150, II					
IK180, II					

Example: NP-2201-0xxxAK + 398 = NP-2201-0398AK



## SERVICE KITS

Whether your compressor is in need of a tune up or a complete overhaul, our kits make it easier - because they include every necessary part to perform the entire job. Nothing is left to chance. And it's simple too, because you only order one part number. If you need help, our *Compressor Coaches* offer tech-advice for an array of compressor models. Check our website - [www.compressor-parts.com](http://www.compressor-parts.com) or call us at 305-430-0550.

**When ordering kits, be sure to let us know the make, model,**

### BEARING REPLACEMENT KIT



**LEFT:** Bearing Replacement Kit for K-15 (see NP-2203-0450AK) - **CRANK SHAFT NOT INCLUDED** **RIGHT:** Close up view of Wrist Pin Bearings

**Included:** one set of main bearings, one set of connecting rod bearings, one set of inner races.

**Tools required** (available separately): all tools as required for Valve & Ring Overhauls, PLUS 13mm crows foot wrench, cir-clip pliers, bearing extractor, bearing installer, flywheel puller.

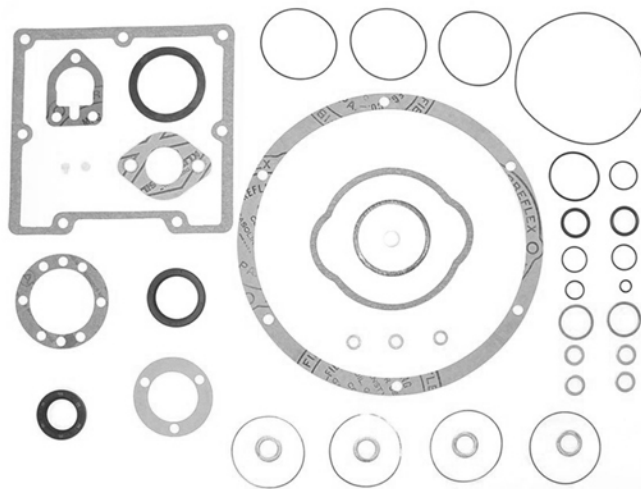
**Recommend:** Complete gasket & seal kit.

Fits	NP Number
N/A	NP-2203-0403AK
Description: 'Bearing Replacement Kit, fits "C" model	
N/A	NP-2203-0404AK
Description: Bearing Replacement Kit, fits "M" model	
N/A	NP-2203-0405AK
Description: Bearing Replacement Kit, fits "K14 mod 6" model	
N/A	NP-2203-0406AK
Description: Bearing Replacement Kit, fits "K14 mod 7" model	
N/A	NP-2203-0407AK
Description: Bearing Replacement Kit, fits "U" model	
N/A	NP-2203-0408AK
Description: Bearing Replacement Kit, fits " U-II, C-II, & M-II" models	
N/A	NP-2203-0409AK
Description: Bearing Replacement Kit, fits "K12-14 II" model	

### Continuation of Bearing Replacement Kit

Fits	NP Number
N/A	NP-2203-0450AK
Description: Bearing Replacement Kit, fits "K15" model	
N/A	NP-2203-0451AK
Description: Bearing Replacement Kit, fits "K20" model	
N/A	NP-2203-0452AK
Description: Bearing Replacement Kit, fits "V, U10, J II" model	

### COMPLETE GASKET KIT



**ABOVE:** Complete Gasket Kit for K-15 (see NP-2202-0430AK)

**Included:** every necessary gasket, o-ring, & seal.

**Recommended:** One spare kit.

*If you've ordered other overhaul kits - some items in the gasket kit may be redundant since they are also supplied in those other kits.*

Fits	NP Number
KIT-0102	NP-2202-0396AK
Description: Gasket and Seal Kit, fits "J-II" model	
KIT-0104	NP-2202-0394AK
Description: Gasket and Seal Kit, fits "C-II" model	
KIT-0106	NP-2202-0474AK
Description: Gasket and Seal Kit, fits "M-II" model	
KIT-0108	NP-2202-0395AK
Description: Gasket and Seal Kit, fits "K12-14" model	



Continuation of Complete Gasket Kit

Fits	NP Number
<b>N05450</b>	NP-2202-0196AK
Description: Gasket and Seal Kit, fits "UT-10" model	
Note: All vintage	
<b>N05451</b>	NP-2202-0204AK
Description: Gasket and Seal Kit, fits K14 mod-6	
Note: All vintage	
<b>N05561</b>	NP-2202-0205AK
Description: Gasket and Seal Kit, fits K14 mod-7	
Note: All vintage	
<b>N05564</b>	NP-2202-0206AK
Description: Gasket and Seal Kit, fits K15 model	
Note: All vintage	
<b>N06193</b>	NP-2202-0200AK
Description: Gasket and Seal Kit, fits "U" & "C" models	
Note: All vintage	
<b>N06196</b>	NP-2202-0201AK
Description: Gasket and Seal Kit, fits "M" model	
Note: Please specify vintage	
<b>N06233</b>	NP-2202-0491A
Description: Gasket and Seal Kit, fits K20 & K180	
<b>N5450</b>	NP-2202-0196AK
Description: Gasket and Seal Kit, fits "UT-10" model	
Note: All vintage	
<b>N5451</b>	NP-2202-0204AK
Description: Gasket and Seal Kit, fits K14 mod-6	
Note: All vintage	
<b>N5561</b>	NP-2202-0205AK
Description: Gasket and Seal Kit, fits K14 mod-7	
Note: All vintage	
<b>N5564</b>	NP-2202-0206AK
Description: Gasket and Seal Kit, fits K15 model	
Note: All vintage	
<b>N6193</b>	NP-2202-0200AK
Description: Gasket and Seal Kit, fits "U" & "C" models	
Note: All vintage	
<b>N6196</b>	NP-2202-0201AK
Description: Gasket and Seal Kit, fits "M" model	
Note: Please specify vintage	
<b>N6233</b>	NP-2202-0491A
Description: Gasket and Seal Kit, fits K20 & K180	

RING OVERHAUL KIT



ABOVE: Ring Overhaul Kit for K-15 (see NP-2211-0420AK)

**Included:** one set of piston rings for each cylinder, one final piston (floating) with cylinder liner, all necessary gaskets & o-rings.

**Tools required** (available separately): all tools as required for Valve Overhaul, PLUS ring compressor, ring expander, 13mm crows foot wrench, cir-clip pliers, feeler gauges.

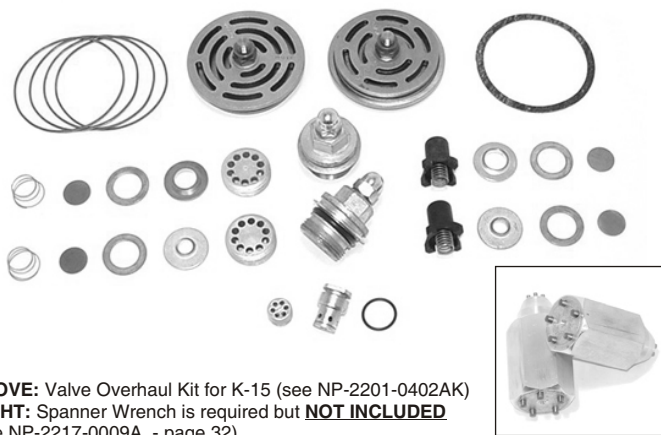
Fits	NP Number
<b>KIT-RNG-C</b>	NP-2211-0414AK
Description: Ring Overhaul Kit, fits "C" model	
<b>KIT-RNG-CII</b>	NP-2211-0415AK
Description: Ring Overhaul Kit, fits "C-II" model	
<b>KIT-RNG-K12-14II</b>	NP-2211-0419AK
Description: Ring Overhaul Kit, fits "K12-14 II" model	
<b>KIT-RNG-K14</b>	NP-2211-0418AK
Description: Ring Overhaul Kit, fits "K14" model	
<b>KIT-RNG-K15</b>	NP-2211-0420AK
Description: Ring Overhaul Kit, fits "K15" model	
<b>KIT-RNG-K20</b>	NP-2211-0421AK
Description: Ring Overhaul Kit, fits "K20" model	
<b>KIT-RNG-M</b>	NP-2211-0416AK
Description: Ring Overhaul Kit, fits "M" model	
<b>KIT-RNG-MII</b>	NP-2211-0417AK
Description: Ring Overhaul Kit, fits "M-II" model	
<b>KIT-RNG-P</b>	NP-2211-0410AK
Description: Ring Overhaul Kit, fits "P & UT-10" models	
<b>KIT-RNG-U</b>	NP-2211-0412AK
Description: Ring Overhaul Kit, fits "U" model	
<b>KIT-RNG-UII</b>	NP-2211-0413AK
Description: Ring Overhaul Kit, fits "U-II" model	



Continuation of Ring Overhaul Kit

Fits	NP Number
<b>KIT-RNG-UT-10</b>	NP-2211-0410AK
Description: Ring Overhaul Kit, fits "P & UT-10" models	
<b>KIT-RNG-V</b>	NP-2211-0410AK
Description: Ring Overhaul Kit, fits "P & UT-10" models	
<b>KIT-RNR-JII</b>	NP-2211-0411AK
Description: Ring Overhaul Kit, fits "J-II" model	

**VALVE OVERHAUL KIT**



**ABOVE:** Valve Overhaul Kit for K-15 (see NP-2201-0402AK)  
**RIGHT:** Spanner Wrench is required but **NOT INCLUDED**  
 (see NP-2217-0009A - page 32)

**Included:** one set of valves (with individual instructions) for each cylinder head, all necessary gaskets and seals.

**Tools required** (available separately): valve spanner, metric allen wrench set, metric open end wrench set & sockets, hand held pin punch, 3/8" torque wrench, 6mm-allen socket, & bench vise.

**Recommended:** One Spare Kit

Fits	NP Number
<b>KIT-0101</b>	NP-2201-0399AK
Description: Valve Overhaul Kits, fits "J-II" model	
<b>KIT-0103</b>	NP-2201-0400AK
Description: Valve Overhaul Kits, fits "C-II" model	
<b>KIT-0105</b>	NP-2201-0401AK
Description: Valve Overhaul Kits, fits "M-II" model	
<b>KIT-0107</b>	NP-2201-0397AK
Description: Valve Overhaul Kits, fits K12-14 II model	
<b>N05180</b>	NP-2201-0433AK
Description: Valve Overhaul Kits, fits "V" model	

Fits	NP Number
<b>N05318</b>	NP-2201-0432AK
Description: Valve Overhaul Kits, fits "P" model	
<b>N05319</b>	NP-2201-0199AK
Description: Valve Overhaul Kits, fits "M" model	
Note: Please specify vintage	
<b>N05333</b>	NP-2201-0197AK
Description: Valve Overhaul Kit, fits "U" model	
Note: All vintages	
<b>N05341</b>	NP-2201-0202AK
Description: Valve Overhaul Kit, fits K14-mod 6 model	
Note: Only fits mod 6 vintage	
<b>N05352</b>	NP-2201-0402AK
Description: Valve Overhaul Kits, fits "K15" model	
Note: Please specify vintage	
<b>N05353</b>	NP-2201-0198AK
Description: Valve Overhaul kit, fits "C" model	
Note: All vintages	
<b>N05356</b>	NP-2201-0436AK
Description: Valve Overhaul kit, fits "U" model	
Note: Please specify vintage	
<b>N05457</b>	NP-2201-0398AK
Description: Valve Overhaul Kits, fits "V, UT-10, P" models	
<b>N05684</b>	NP-2201-0497AK
Description: Valve Overhaul Kits, fits "C" models	
<b>N05899</b>	NP-2201-0438AK
Description: Valve Overhaul Kits, fits "U" model	
<b>N05955</b>	NP-2201-0431AK
Description: Valve Overhaul Kits, fits "K14-95" model	
Note: Please specify vintage	
<b>N06412</b>	NP-2201-0203AK
Description: Valve Overhaul kit, fits "K14-mod 7" model	
Note: Only fits mod 7 vintage	
<b>N06523</b>	NP-2201-0488AK
Description: Valve Overhaul kit, fits "K20, K150, & K180" model	
<b>N5180</b>	NP-2201-0433AK
Description: Valve Overhaul Kits, fits "V" model	
<b>N5318</b>	NP-2201-0432AK
Description: Valve Overhaul Kits, fits "P" model	
<b>N5319</b>	NP-2201-0199AK
Description: Valve Overhaul Kits, fits "M" model	
Note: Please specify vintage	
<b>N5333</b>	NP-2201-0197AK
Description: Valve Overhaul Kit, fits "U" model	
Note: All vintages	



Continuation of Valve Overhaul Kit

Fits	NP Number
<b>N5341</b>	NP-2201-0202AK
Description: Valve Overhaul Kit, fits K14-mod 6 model	
Note: Only fits mod 6 vintage	
<b>N5352</b>	NP-2201-0402AK
Description: Valve Overhaul Kits, fits "K15" model	
Note: Please specify vintage	
<b>N5353</b>	NP-2201-0198AK
Description: Valve Overhaul kit, fits "C" model	
Note: All vintages	
<b>N5356</b>	NP-2201-0436AK
Description: Valve Overhaul kit, fits "U" model	
Note: Please specify vintage	
<b>N5457</b>	NP-2201-0398AK
Description: Valve Overhaul Kits, fits "V, UT-10, P" models	
<b>N5684</b>	NP-2201-0437AK
Description: Valve Overhaul Kits, fits "C" model	
<b>N5899</b>	NP-2201-0438AK
Description: Valve Overhaul Kits, fits "U" model	
<b>N5955</b>	NP-2201-0431AK
Description: Valve Overhaul Kits, fits "K14-95" model	
Note: Please specify vintage	
<b>N6412</b>	NP-2201-0203AK
Description: Valve Overhaul kit, fits K14-mod 7 model	
Note: Only fits mod 7 vintage	
<b>N6523</b>	NP-2201-0488AK
Description: Valve Overhaul kit, fits "K20, K150, & K180" model	

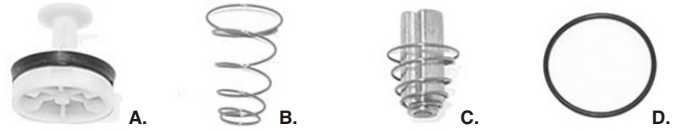
## NewPart™ Compressor Coaches . . .

are compressor experts, each having decades of professional, hands-on, field experience. You'll receive guidance from these folks who've spent their careers as field technicians, shop supervisors, and small business owners in the field of compressor technologies.

Most of our coaches have since retired from field service and now share one goal - to help you learn and solve the challenge of keeping your compressor equipment running at its' fullest.

**Contact Us - we are what HELP is all about!**  
305-430-0550 or [info@compressor-parts.com](mailto:info@compressor-parts.com)

### MISCELLANEOUS KIT



ABOVE: Solenoid Valve Rebuild Kit (see NP-2220-0135AK) - A. Seal B. Spring C. Plunger w/ Spring D. O-ring

Fits	NP Number
<b>N01632-KIT</b>	NP-2220-0135AK
Description: Rebuild kit, solenoid valve, ACD	
Included: Springs, plunger, seal and o-ring	
Recommended: One spare	
<b>N16382-KIT</b>	NP-2220-0135AK
Description: Rebuild kit, solenoid valve, ACD	
Included: Springs, plunger, seal and o-ring	
Recommended: One spare	

### FULL OVERHAUL KIT



ABOVE: Full Overhaul Kit for K-15 (see NP-2250-0448AK)  
RIGHT: Spanner Wrench is required but **NOT INCLUDED** (see NP-2217-0009A - page 32)

**Included:** one set of Head Bolts, one Oil Change, one Intake Filter Element, one Oil Drive Belt (some models do not require), one of each of the Valve & Ring Overhaul Kit, one Bearing Replacement Kit, and one Gasket Kit.

**Tools required** (available separately): all tools as required for Valve Overhaul, PLUS 13mm crows foot wrench, cir-clip pliers, bearing extractor, bearing installer, flywheel puller

Fits	NP Number
<b>N/A</b>	NP-2250-0439AK
Description: Complete Overhaul Kit, fits "J-II" model	

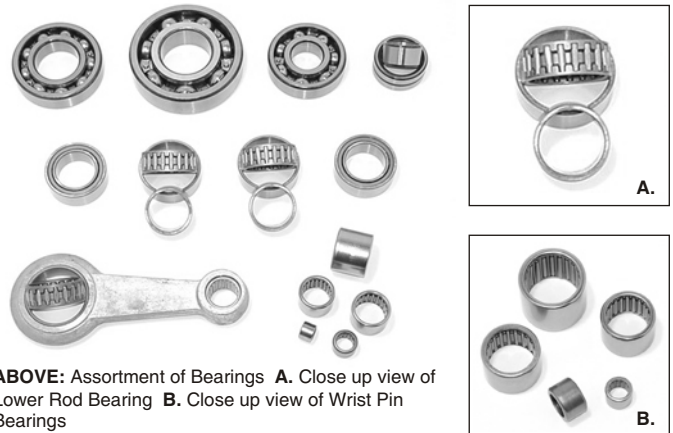
## Continuation of Full Overhaul Kit

Fits	NP Number
N/A	NP-2250-0440AK
Description: Complete Overhaul Kit, fits "U" model	
N/A	NP-2250-0441AK
Description: Complete Overhaul Kit, fits "C" model	
N/A	NP-2250-0442AK
Description: Complete Overhaul Kit, fits "C-II" model	
N/A	NP-2250-0443AK
Description: Complete Overhaul Kit, fits "M" model	
N/A	NP-2250-0444AK
Description: Complete Overhaul Kit, fits "M-II" model	
N/A	NP-2250-0445AK
Description: Complete Overhaul Kit, fits "K12-14-II" model	
N/A	NP-2250-0446AK
Description: Complete Overhaul Kit, fits "K14-95" model	
N/A	NP-2250-0447AK
Description: Complete Overhaul Kit, fits "K14-12" model	
N/A	NP-2250-0448AK
Description: Complete Overhaul Kit, fits "K15" model	
N/A	NP-2250-0449AK
Description: Complete Overhaul Kit, fits "K20" model	

## BEARINGS

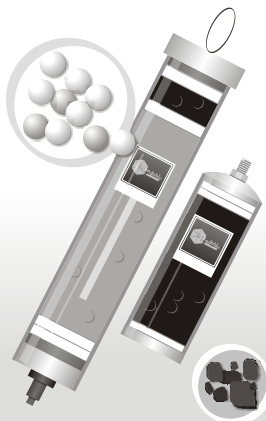
Like the joints in your wrist, a compressors bearings are key to its motion. In the case of a Bauer® Compressor they rotate at super high speeds, as much as 2000 RPM, generating incredible levels of friction and heat. Here's why New Part™ bearings will endure:

- Contact surfaces are ground to **MICRO FINISHES & TOLERANCES OF 0.00001"**
- Materials are **TEMPERED TO MATCHING HARDNESSES**. This ensures reduced frictional wear and long lasting bearings.
- Bearing races are designed so as to **FACILITATE EASE OF COMPRESSOR RE-ASSEMBLY**.



ABOVE: Assortment of Bearings A. Close up view of Lower Rod Bearing B. Close up view of Wrist Pin Bearings

## X-pendable® Filter Cartridges To Fit Bauer Compressors®



FITS	X-PENDABLE No.
04852	X23226
58821	X22240
58825	X22677
58827	X22237
59183	X22249
60031	X22577

Breathing Air? Specialty Gases? L-Factor offers a huge array of X-pendable® brand cartridges to fit almost any need or to fit most any other brand name.

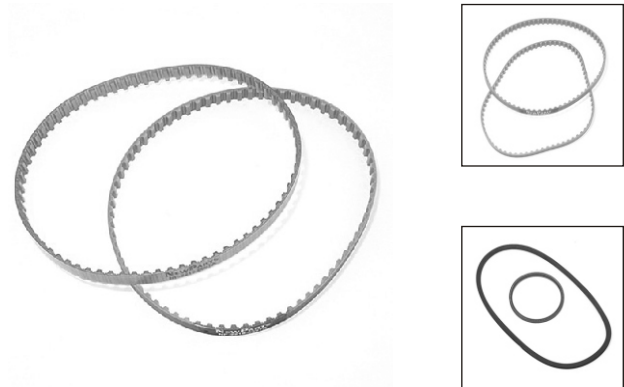
To see our entire line of filter cartridges, you can request a copy of Lawrence Factor's **Catalog of Purification Products** or visit us at: [www.Lawrence-Factor.com](http://www.Lawrence-Factor.com)

Fits	NP Number
N00091	NP-2203-0187A
Description: Bearing, ball, oil pump	
N00168	NP-2203-0480A
Description: Bearing	
N00169	NP-2203-0046A
Description: Bearing, roller	
N00475	NP-2203-0189A
Description: Bearing	
N00583	NP-2203-0186A
Description: Bearing, roller	
N00633	NP-2203-0188A
Description: Bearing, shaft, flywheel (R)	
N02638	NP-2203-0179A
Description: Bearing, shaft	
N02857	NP-2203-0144A
Description: Bearing, split ball	
N03014	NP-2203-0185A
Description: Bearing, ball, inner main	
N03015	NP-2203-0184A
Description: Bearing	

Continuation of Bearings

Fits	NP Number
<b>N03702</b>	NP-2203-0180A
Description: Bearing, shaft	
<b>N03703</b>	NP-2203-0179A
Description: Bearing, shaft	
<b>N15406</b>	NP-2203-0387A
Description: Bearing, roller	
<b>N168</b>	NP-2203-0480A
Description: Bearing	
<b>N169</b>	NP-2203-0046A
Description: Bearing, roller	
<b>N18303</b>	NP-2203-0467A
Description: Bearing	
<b>N18304</b>	NP-2203-0468A
Description: Bearing	
<b>N2638</b>	NP-2203-0179A
Description: Bearing, shaft	
<b>N2857</b>	NP-2203-0144A
Description: Bearing, split ball	
<b>N3014</b>	NP-2203-0185A
Description: Bearing, ball, inner main	
<b>N3015</b>	NP-2203-0184A
Description: Bearing	
<b>N3702</b>	NP-2203-0180A
Description: Bearing, shaft	
<b>N3703</b>	NP-2203-0179A
Description: Bearing, shaft	
<b>N475</b>	NP-2203-0189A
Description: Bearing	
<b>N583</b>	NP-2203-0186A
Description: Bearing, roller	
<b>N633</b>	NP-2203-0188A
Description: Bearing, shaft, flywheel ( R)	
<b>N91</b>	NP-2203-0187A
Description: Bearing, ball (unshielded), oil pump	

**BELTS**

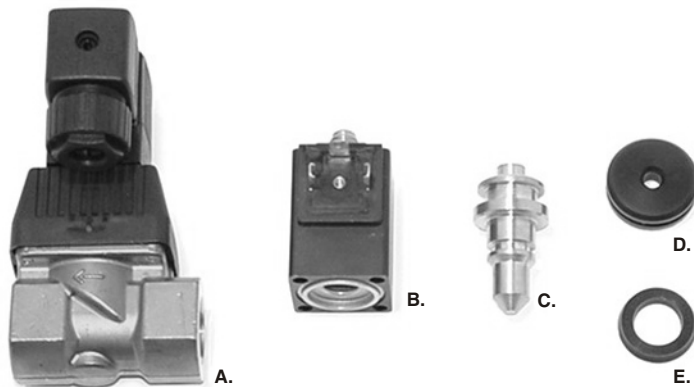


**ABOVE:** Assortment of Timing Belts  
**RIGHT:** Assortment of V-Belts & Timing Belts

Fits	NP Number
<b>BET-0136</b>	NP-2218-0101A
Description: Belt, vee, oil drive	
Recommended: One spare	
<b>BET-0172</b>	NP-2218-0469
Description: Belt, vee, oil drive	
Recommended: One spare	
<b>N02003</b>	NP-2218-0133A
Description: Belt, vee, fan drive	
Recommended: One spare	
<b>N02874</b>	NP-2218-0097A
Description: Belt, timing, oil drive	
Recommended: One spare	
<b>N03173</b>	NP-2218-0101A
Description: Belt, vee, oil drive	
Recommended: One spare	
<b>N04159</b>	NP-2218-0116A
Description: Belt, vee, oil drive	
Recommended: One spare	
<b>N2003</b>	NP-2218-0133A
Description: Belt, vee, fan drive	
Recommended: One spare	
<b>N2874</b>	NP-2218-0097A
Description: Belt, timing, oil drive	
Recommended: One spare	
<b>N3173</b>	NP-2218-0101A
Description: Belt, vee, oil drive	
Recommended: One spare	
<b>N4159</b>	NP-2218-0116A
Description: Belt, vee, oil drive	
Recommended: One spare	



## CONDENSATE DRAIN



A. Solenoid Valve B. Solenoid Coil C. ACD Piston D. ACD Seat E. Seal

Fits	NP Number
<b>011430</b>	VL-531121-TE
Description: Petcock Valve, Stainless Steel	
<b>013283</b>	NP-2212-0059A
Description: Seat, petcock replacement	
Recommended: Two spare	
<b>064003</b>	NP-2222-0195A
Description: Piston, ACD, Stainless Steel	
<b>064005</b>	NP-2222-0207A
Description: Seat, ACD	
Recommended: One spare	
<b>064498</b>	NP-2212-0074
Description: Seat, petcock replacement, ACD	
<b>13283</b>	NP-2212-0059A
Description: Seat, petcock replacement	
Recommended: Two spare	
<b>64003</b>	NP-2222-0195A
Description: Piston, ACD, Stainless Steel	
<b>64005</b>	NP-2222-0207A
Description: Seat, ACD	
Recommended: One spare	
<b>64498</b>	NP-2212-0074
Description: Seat, petcock replacement, ACD	
<b>N01632-KIT</b>	NP-2220-0135AK
Description: Rebuild kit, solenoid valve, ACD	
Included: Springs, plunger, seals and o-rings	
Recommended: One spare	
<b>N04182</b>	NP-2222-0153A
Description: Solenoid coil, ACD, 115 vac - 50 / 60 hz	
<b>N04185</b>	NP-2222-0170A
Description: Solenoid coil, ACD, 12 vdc	

Fits	NP Number
<b>N05156</b>	NP-2222-0208AK
Description: Rebuild kit, ACD	
Included: Seat, o-rings, and seal	
Recommended: One spare	
<b>N05956</b>	NP-2222-0208AK
Description: Rebuild kit, ACD	
Included: Seat, o-rings, and seal	
Recommended: One spare	
<b>N16269</b>	NP-2202-0156A
Description: Sealing Ring	
<b>N16381</b>	NP-2220-0127A
Description: Solenoid Valve (two way), fits ACD	
<b>N16382</b>	NP-2220-0128A
Description: Solenoid Valve (two way), fits ACD	
<b>N16382-KIT</b>	NP-2220-0135AK
Description: Rebuild kit, solenoid valve, ACD	
Included: Springs, plunger, seals and o-rings	
Recommended: One spare	
<b>N4182</b>	NP-2222-0153A
Description: Solenoid coil, ACD, 115 vac - 50 / 60 hz	
<b>N4185</b>	NP-2222-0170A
Description: Solenoid coil, ACD, 12 vdc	
<b>N5156</b>	NP-2222-0208AK
Description: Rebuild kit, ACD	
Included: Seat, o-rings, and seal	
Recommended: One spare	
<b>N5956</b>	NP-2222-0208AK
Description: Rebuild kit, ACD	
Included: Seat, o-rings, and seal	
Recommended: One spare	
<b>N/A</b>	VL-532053-AF
Description: Auto Condensate Drain System, 3 Stage Compressor	
Included: Installation hoses, fittings, pilot air regulator, & instructions Required: 110 vac power & 300 psi pilot air	
<b>N/A</b>	VL-532054-AF
Description: Auto Condensate Drain System, 4 Stage Compressor	
Included: Installation hoses, fittings & instructions Required: 110 vac power & 300 psi pilot air	

### To Locate A Dealer Near You

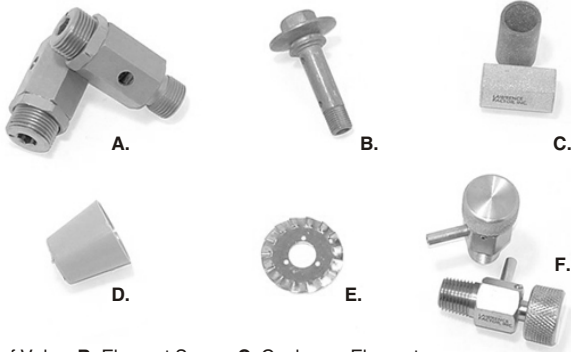
Call Us Monday - Friday  
8:30 am to 5:00 pm Est.

**800-338-5493 or 305-430-0550**

check out our website:

**www.Lawrence-Factor.com**

## INTERSTAGE FILTERS



A. Relief Valve B. Element Screw C. Coalescor Element  
D. Baffle Cone E. Vortex Plate F. Petcock

Fits	NP Number
<b>010253</b>	NP-2215-0367A
Description: Relief valve, 24 bar / 350 psi	
Included: Gasket	
<b>010254</b>	NP-2215-0369A
Description: Relief Valve, 18 bar / 260 psi	
Included: Gasket	
<b>010255</b>	NP-2215-0381A
Description: Relief valve, 1 stage, 5.5 bar / 80 psi	
Included: Gasket	
<b>010670</b>	NP-2215-0209A
Description: Relief Valve, 8 bar / 115 psi	
Included: Gasket	
<b>011430</b>	VL-531121-TE
Description: Petcock Valve, Stainless Steel	
Recommended: Spare tip RK-534141-SF	
<b>011656</b>	NP-2215-0210A
Description: Relief Valve, 50 bar / 725 psi	
Included: Gasket	
<b>012885</b>	NP-2215-0367A
Description: Relief Valve, 24 bar / 350 psi	
Included: Gasket	
<b>012886</b>	NP-2215-0368A
Description: Relief Valve, 80 bar / 1150 psi	
Included: Gasket	
<b>013283</b>	NP-2212-0059A
Description: Seat, petcock replacement	
Recommended: Two spare	
<b>064498</b>	NP-2212-0074A
Description: Seat, petcock replacement, ACD	
<b>072935</b>	NP-2215-0366A
Description: Relief Valve	
Included: Gasket	

Fits	NP Number
<b>078706</b>	NP-2215-0500A
Description: Relief Valve	
Included: Gasket	
<b>10253</b>	NP-2215-0367A
Description: Relief Valve, 24 bar / 350 psi	
Included: Gasket	
<b>10254</b>	NP-2215-0369A
Description: Relief Valve, 18 bar / 260 psi	
Included: Gasket	
<b>10255</b>	NP-2215-0381A
Description: Relief valve, 1 stage, 5.5 bar / 80 psi	
Included: Gasket	
<b>10670</b>	NP-2215-0209A
Description: Relief Valve, 8 bar / 115 psi	
Included: Gasket	
<b>11656</b>	NP-2215-0210A
Description: Relief Valve, 50 bar / 725 psi	
Included: Gasket	
<b>12885</b>	NP-2215-0367A
Description: Relief Valve, 24 bar / 350 psi	
Included: Gasket	
<b>12886</b>	NP-2215-0368A
Description: Relief Valve, 80 bar / 1150 psi	
Included: Gasket	
<b>13283</b>	NP-2212-0059A
Description: Seat, petcock replacement	
Recommended: Two spare	
<b>64498</b>	NP-2212-0074A
Description: Seat, petcock replacement	
<b>78706</b>	NP-2215-0500A
Description: Relief Valve	
Included: Gasket	

### The New Parts™ Promise

New Parts™ are manufactured to stringent quality standards. Our craftsmen are determined individuals who pride themselves on perfection and every detail in New Parts™ reflects that pride - right down to the packaging. We are so confident in our product, that we offer you this: when properly installed - we promise that each and every New Part™ will match or exceed the performance of the OEM part. We're positive that New Parts™ will meet your expectations. We promise, or your money back!



## What Model? What Make?

Not certain about which compressor you own? This is a frequent puzzle because many compressors are private labeled - the true origin unknown to you. Armed with enough clues, a **COMPRESSOR COACH** can help you identify it.

Please have as much of the following information handy before contacting us:

- \* Labeled brand and model
- \* Serial number
- \* Size in cfm and horsepower
- \* Lube and cooling methods
- \* Number of stages/cylinders
- \* Country of origin

**By Email:** send us a photo (.jpg format) of the actual compressor pump along with as much info as you know. [info@compressor-parts.com](mailto:info@compressor-parts.com).

**By Web:** visit our D.I.Y. website and click on the "Identify My Compressor" button. We will lead you through a questionnaire which will then be emailed to us. Please be patient as our reply may take several days. [www.compressor-parts.com](http://www.compressor-parts.com)

**By Phone:** call us, prepared to speak with a COMPRESSOR COACH and have all possible information ready. 305-430-0550

## ELECTRICAL COMPONENTS

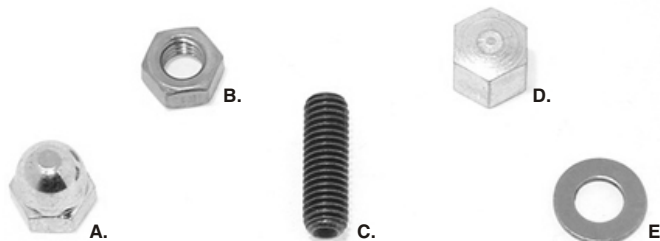


ABOVE: High Pressure Switch

Fits	NP Number
<b>SWT-0119</b>	NP-2220-0139A
Description: Switch, oil pressure	
Note: Adjustable withing 700-1500 psi	
<b>SWT-0160</b>	NP-2220-0138A
Description: Switch, air pressure	
Note: Adjustable within 3650-7500 psi	

## FASTENERS

Even nuts, bolts, and screws don't miss our scrutiny. While we don't always produce them ourselves, you can still take confidence that New Part fasteners were selected based on the most ideal material, manufacturing methods, hardness, and coatings. We even give you the option to purchase singly or in multi-packs. New Part™ fasteners will endure.



A. Acorn Nut B. Hex Nut C. Stud D. Acorn Nut E. Flat Washer

**Note:** Available singly or in multi-packs.

Fits	NP Number
<b>071064</b>	NP-2205-0177A
Description: Stud, valve tension	
Recommended: One spare	
<b>071064</b>	NP-2205-0177AK
Description: Stud, valve tension, (set of 6)	
Recommended: One spare	
Included: Package of 6 pieces	
<b>071065</b>	NP-2205-0178A
Description: Stud, valve tension, fine	
Recommended: One spare	
<b>071065</b>	NP-2205-0178AK
Description: Stud, valve tension, fine, (set of 6)	
Recommended: One spare	
Included: Package of 6 pieces	
<b>71064</b>	NP-2205-0177A
Description: Stud, valve tension	
Recommended: One spare	
<b>71064</b>	NP-2205-0177AK
Description: Stud, valve tension, (set of 6)	
Recommended: One spare	
Included: Package of 6 pieces	
<b>71065</b>	NP-2205-0178A
Description: Stud, valve tension, fine	
Recommended: One spare	
<b>71065</b>	NP-2205-0178AK
Description: Stud, valve tension, fine, (set of 6)	
Recommended: One spare	
Included: Package of 6 pieces	



Continuation of Fasteners

Fits	NP Number
<b>N00057</b>	NP-2205-0476AK
Description: Hex Lock Nut, nylon, (set of 6)	
Included: Package of 6 pieces	
<b>N00058</b>	NP-2205-0344AK
Description: Washer, flat, (set of 6)	
Included: Package of 6 pieces	
<b>N00084</b>	NP-2205-0075A
Description: Acorn nut	
<b>N00109</b>	NP-2205-0076A
Description: Bolt, allen cap screw	
<b>N00109</b>	NP-2205-0076AK
Description: Bolts, allen cap screw, (set of 6)	
Included: Package of 6 pieces	
<b>N00123</b>	NP-2205-0077A
Description: Bolt, allen cap screw	
<b>N00123</b>	NP-2205-0077AK
Description: Bolts, allen cap screw, (set of 6)	
Included: Package of 6 pieces	
<b>N00150</b>	NP-2205-0078A
Description: Bolt, allen cap screw	
<b>N00150</b>	NP-2205-0078AK
Description: Bolts, allen cap screw, (set of 6)	
Included: Package of 6 pieces	
<b>N00171</b>	NP-2205-0079A
Description: Bolt, allen cap screw	
<b>N00171</b>	NP-2205-0079AK
Description: Bolts, allen cap screw, (set of 6)	
Included: Package of 6 pieces	
<b>N00289</b>	NP-2205-0345A
Description: Nut	
<b>N00354</b>	NP-2205-0490A
Description: Bolt, allen cap screw	
<b>N00503</b>	NP-2205-0081A
Description: Bolt, allen cap screw	
<b>N00503</b>	NP-2205-0081AK
Description: Bolts, allen cap screw, (set of 6)	
Included: Package of 6 pieces	
<b>N00724</b>	NP-2205-0084A
Description: Bolt, allen cap screw	
<b>N00724</b>	NP-2205-0084AK
Description: Bolts, allen cap screw, (set of 6)	
Included: Package of 6 pieces	
<b>N00796</b>	NP-2205-0341A
Description: Bolt, allen cap screw	

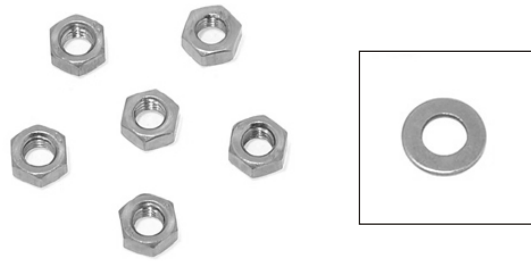


ABOVE: Assortment of Allen Cap Screws & a Valve Tension Screw

Fits	NP Number
<b>N00861</b>	NP-2205-0085A
Description: Bolt, allen cap screw	
<b>N00861</b>	NP-2205-0085AK
Description: Bolts, allen cap screw, (set of 6)	
Included: Package of 6 pieces	
<b>N01282</b>	NP-2205-0086A
Description: Bolt, allen cap screw	
<b>N01282</b>	NP-2205-0086AK
Description: Bolts, allen cap screw, (set of 6)	
Included: Package of 6 pieces	
<b>N01364</b>	NP-2205-0087A
Description: Bolt, allen cap screw	
<b>N01364</b>	NP-2205-0087AK
Description: Bolts, allen cap screw, (set of 6)	
Included: Package of 6 pieces	
<b>N01437</b>	NP-2205-0475A
Description: Bolt, allen cap screw	
<b>N01776</b>	NP-2205-0089A
Description: Bolt, allen cap screw	
<b>N01776</b>	NP-2205-0089AK
Description: Bolts, allen cap screw, (set of 6)	
Included: Package of 6 pieces	
<b>N02290</b>	NP-2205-0341A
Description: Bolt, allen cap screw	
<b>N02773</b>	NP-2205-0212A
Description: Bolt, allen cap screw	
<b>N02773</b>	NP-2205-0212AK
Description: Bolts, allen cap screw, (set of 6)	
Included: Package of 6 pieces	
<b>N02945</b>	NP-2205-0322A
Description: Bolt, allen cap screw	
<b>N03520</b>	NP-2205-0102A
Description: Screw, valve tension, intermediate	
Recommended: One spare	

## Continuation of Fasteners

Fits	NP Number
<b>N03623</b>	NP-2205-0107A
Description: Acorn nut	
Recommended: One spare	
<b>N03624</b>	NP-2205-0108A
Description: Screw, valve tension, final	
<b>N03859</b>	NP-2205-0341A
Description: Bolt, allen cap screw	
<b>N09253</b>	NP-2205-0124A
Description: Bolt, allen cap screw	
<b>N09253</b>	NP-2205-0124AK
Description: Bolts, allen cap screw, (set of 6)	
Included: Package of 6 pieces	
<b>N109</b>	NP-2205-0076A
Description: Bolt, allen cap screw	
<b>N109</b>	NP-2205-0076AK
Description: Bolts, allen cap screw, (set of 6)	
Included: Package of 6 pieces	
<b>N123</b>	NP-2205-0077A
Description: Bolt, allen cap screw	
<b>N123</b>	NP-2205-0077AK
Description: Bolts, allen cap screw, (set of 6)	
Included: Package of 6 pieces	
<b>N1282</b>	NP-2205-0086A
Description: Bolt, allen cap screw	
<b>N1282</b>	NP-2205-0086AK
Description: Bolts, allen cap screw, (set of 6)	
Included: Package of 6 pieces	
<b>N1364</b>	NP-2205-0087A
Description: Bolts, allen cap screw, (set of 6)	
Included: Package of 6 pieces	
<b>N1364</b>	NP-2205-0087AK
Description: Bolt, allen cap screw	
<b>N1437</b>	NP-2205-0475A
Description: Bolt, allen cap screw	
<b>N150</b>	NP-2205-0078A
Description: Bolt, allen cap screw	
<b>N150</b>	NP-2205-0078AK
Description: Bolts, allen cap screw, (set of 6)	
Included: Package of 6 pieces	
<b>N171</b>	NP-2205-0079A
Description: Bolt, allen cap screw	
<b>N171</b>	NP-2205-0079AK
Description: Bolts, allen cap screw, (set of 6)	
Included: Package of 6 pieces	



ABOVE: Hex Nut - set of 6, Close up view of Flat Washer (see NP-2205-0344AK)

Fits	NP Number
<b>N1776</b>	NP-2205-0089A
Description: Bolt, allen cap screw	
<b>N1776</b>	NP-2205-0089AK
Description: Bolts, allen cap screw, (set of 6)	
Included: Package of 6 pieces	
<b>N2290</b>	NP-2205-0341A
Description: Bolt, allen cap screw	
<b>N2773</b>	NP-2205-0212A
Description: Bolt, allen cap screw	
<b>N2773</b>	NP-2205-0212AK
Description: Bolts, allen cap screw, (set of 6)	
Included: Package of 6 pieces	
<b>N289</b>	NP-2205-0345A
Description: Nut	
<b>N2945</b>	NP-2205-0322A
Description: Bolt, allen cap screw	
<b>N3520</b>	NP-2205-0102A
Description: Screw, valve tension, intermediate	
Recommended: One spare	
<b>N354</b>	NP-2205-0490A
Description: Bolt, allen cap screw	
<b>N3623</b>	NP-2205-0107A
Description: Acorn nut	
Recommended: One spare	
<b>N3624</b>	NP-2205-0108A
Description: Screw, valve tension, final	
<b>N503</b>	NP-2205-0081A
Description: Bolt, allen cap screw	
<b>N503</b>	NP-2205-0081AK
Description: Bolts, allen cap screw, (set of 6)	
Included: Package of 6 pieces	
<b>N57</b>	NP-2205-0476AK
Description: Hex Lock Nut - Nylon, (set of 6)	
Included: Package of 6 pieces	
<b>N58</b>	NP-2205-0344AK
Description: Washer, flat, (set of 6)	
Included: Package of 6 pieces	

Continuation of Fastners



ABOVE: Allen Cap Screws - set of 6 (see NP-2205-0084AK)

Fits	NP Number
<b>N724</b>	NP-2205-0084A
Description: Bolt, allen cap screw	
<b>N724</b>	NP-2205-0084AK
Description: Bolts, allen cap screw, (set of 6)	
Included: Package of 6 pieces	
<b>N796</b>	NP-2205-0341A
Description: Bolt, allen cap screw	
<b>N84</b>	NP-2205-0075A
Description: Acorn nut	
<b>N861</b>	NP-2205-0085A
Description: Bolt, allen cap screw	
<b>N861</b>	NP-2205-0085AK
Description: Bolts, allen cap screw, (set of 6)	
Included: Package of 6 pieces	
<b>N9253</b>	NP-2205-0124A
Description: Bolt, allen cap screw	
<b>N9253</b>	NP-2205-0124AK
Description: Bolts, allen cap screw, (set of 6)	
Included: Package of 6 pieces	
<b>NUT-0062</b>	NP-2205-0476AK
Description: Hex Lock Nut - Nylon, (set of 6)	
Included: Package of 6 pieces	
<b>NUT-0119</b>	NP-2205-0345A
Description: Nut	
<b>SCR-0062</b>	NP-2205-0490A
Description: Bolt, allen cap screw	
<b>SCR-0133</b>	NP-2205-0084A
Description: Bolt, allen cap screw	
<b>SCR-0133</b>	NP-2205-0084AK
Description: Bolts, allen cap screw, (set of 6)	
Included: Package of 6 pieces	
<b>SCR-0138</b>	NP-2205-0085A
Description: Bolt, allen cap screw	

Fits	NP Number
<b>SCR-0138</b>	NP-2205-0085AK
Description: Bolts, allen cap screw, (set of 6)	
Included: Package of 6 pieces	
<b>SCR-0159</b>	NP-2205-0079A
Description: Bolt, allen cap screw	
<b>SCR-0159</b>	NP-2205-0079AK
Description: Bolts, allen cap screw, (set of 6)	
Included: Package of 6 pieces	
<b>SCR-0179</b>	NP-2205-0076A
Description: Bolt, allen cap screw	
<b>SCR-0179</b>	NP-2205-0076AK
Description: Bolts, allen cap screw, (set of 6)	
Included: Package of 6 pieces	
<b>SCR-0180</b>	NP-2205-0081A
Description: Bolt, allen cap screw	
<b>SCR-0180</b>	NP-2205-0081AK
Description: Bolts, allen cap screw, (set of 6)	
Included: Package of 6 pieces	
<b>SCR-0181</b>	NP-2205-0077A
Description: Bolt, allen cap screw	
<b>SCR-0181</b>	NP-2205-0077AK
Description: Bolts, allen cap screw, (set of 6)	
Included: Package of 6 pieces	
<b>SCR-0182</b>	NP-2205-0475A
Description: Bolt, allen cap screw	
<b>SCR-183</b>	NP-2205-0322A
Description: Bolt, allen cap screw	
<b>WAS-0021</b>	NP-2205-0344AK
Description: Washer, flat, (set of 6)	
Included: Package of 6 pieces	

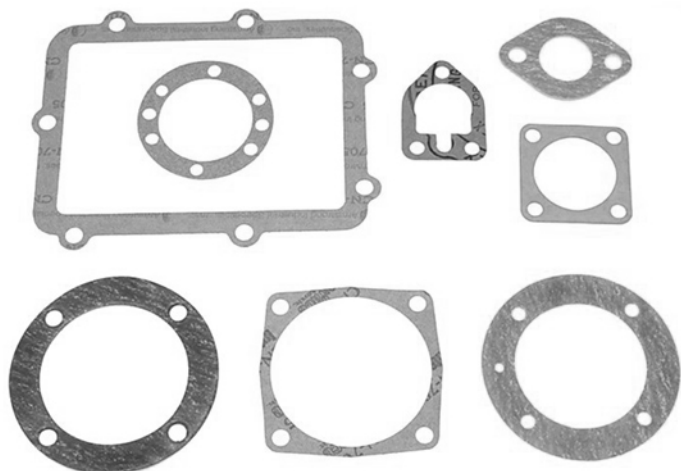
## GASKETS, SEALS, & O-RINGS

The seals on your compressor are what keep what's supposed to be inside . . . in, and what's supposed to be outside . . . out. And a seal is much more than just a slice of paper or a strip of rubber. Some rubbers will dissolve in synthetic oils, and some papers will deteriorate under pressure. So, many factors must be considered when designing a seal - factors such as; fit, operating conditions, exposure to corrosives and especially longevity . . . because that seal needs to hold up until the next service interval - sometimes decades. New Part™ gaskets & seals will endure - here are the reasons:



Continuation of Gaskets, Seals, & O-rings

- *Gasket materials are the sturdiest available . . . materials that resist shrinkage & warpage during storage . . . and some of which are reinforced for extra resistance to the forces of gas pressure.*
- *Complicated shapes are cut to exacting dimensions using laser guided cutters and jets.*
- *All rubber parts are selected for appropriate hardness, material, and ability to resist exposure to corrosives.*



ABOVE: Assortment of Gaskets

Fits	NP Number
<b>000149</b>	NP-2202-0014A
Description: Gasket, oil cam cover	
Required: Gasket sealant Recommended: One spare	
<b>000240</b>	NP-2202-0015A
Description: Gasket, valve seat	
<b>001866</b>	NP-2202-0011A
Description: Gasket, cylinder base	
<b>001867</b>	NP-2202-0012A
Description: Gasket, cylinder base, 1 stage	
<b>002010</b>	NP-2202-0016A
Description: Gasket, oil pump	
Required: Gasket sealant Recommended: One spare	
<b>003039</b>	NP-2202-0017A
Description: Gasket, cylinder head, 1 stage	
Recommended: One spare	
<b>003110</b>	NP-2202-0010A
Description: Gasket, cylinder base, 2 stage	
<b>003177</b>	NP-2202-0022A
Description: Gasket, crankcase back plate	
Required: Gasket sealant	

Fits	NP Number
<b>003733</b>	NP-2202-0136A
Description: Gasket, cover	
Recommended: One spare	
<b>004466</b>	NP-2202-0018A
Description: Gasket, cylinder head	
Recommended: Two spare	
<b>004479</b>	NP-2202-0167A
Description: Gasket	
<b>004675</b>	NP-2202-0020A
Description: Gasket, valves, 1 stage	
<b>005298</b>	NP-2202-0021A
Description: Gasket, valves, 1 stage	
<b>005523</b>	NP-2202-0023A
Description: Gasket, intake manifold, 1 stage	
<b>006192</b>	NP-2202-0129A
Description: Gasket, demister cover	
Recommended: One spare	
<b>007862</b>	NP-2202-0024A
Description: Gasket, cylinder base	
<b>008263</b>	NP-2202-0330A
Description: Gasket, interstage relief valve	
<b>008264</b>	NP-2202-0337A
Description: Gasket	
<b>009284</b>	NP-2202-0351A
Description: Gasket	
<b>012228</b>	NP-2202-0119A
Description: Gasket, cylinder head, 1 stage	
<b>012386</b>	NP-2202-0058A
Description: Gasket, lower case	
Required: Gasket sealant	
<b>012560</b>	NP-2202-0462A
Description: Gasket, oil fill pipe	
<b>013757</b>	NP-2202-0060A
Description: O-ring	
<b>03039</b>	NP-2202-0017A
Description: Gasket, cylinder head, 1 stage	
Recommended: One spare	
<b>056668</b>	NP-2202-0497A
Description: Gasket	
<b>056983</b>	NP-2202-0323A
Description: Gasket, final disch fitting	
Recommended: One spare	
<b>058144</b>	NP-2202-0175A
Description: Gasket, cylinder head, 1 stage	



## Continuation of Gaskets, Seals, &amp; O-rings

Fits	NP Number
<b>058262</b>	NP-2202-0037A
Description: Gasket, cylinder head, 1 stage	
<b>058300</b>	NP-2202-0131A
Description: Gasket, lower case	
Required: Gasket sealant	
<b>058545</b>	NP-2202-0038A
Description: Gasket, cylinder head	
Recommended: One spare	
<b>061183</b>	NP-2202-0454A
Description: Gasket	
<b>063340</b>	NP-2202-0073A
Description: Gasket, cylinder head, 1 stage	
<b>067979</b>	NP-2202-0429A
Description: Gasket	
<b>078421</b>	NP-2202-0428A
Description: Gasket, oil pump housing	
Recommended: One spare	
<b>09284</b>	NP-2202-0351A
Description: Gasket	
<b>12228</b>	NP-2202-0119A
Description: Gasket, cylinder head, 1 stage	
<b>12386</b>	NP-2202-0058A
Description: Gasket, lower case	
Required: Gasket sealant	
<b>12560</b>	NP-2202-0462A
Description: Gasket, oil fill pipe	
<b>13756</b>	NP-2202-0140A
Description: O-ring	
Recommended: Two spares	
<b>13757</b>	NP-2202-0060A
Description: O-ring	
<b>149</b>	NP-2202-0014A
Description: Gasket, oil cam cover	
Required: Gasket sealant Recommended: One spare	
<b>1866</b>	NP-2202-0011A
Description: Gasket, cylinder base	
<b>1867</b>	NP-2202-0012A
Description: Gasket, cylinder base, 1 stage	
<b>2010</b>	NP-2202-0016A
Description: Gasket, oil pump	
Required: Gasket sealant Recommended: One spare	
<b>240</b>	NP-2202-0015A
Description: Gasket, valve seat	
Recommended: Two spare	

Fits	NP Number
<b>3039</b>	NP-2202-0017A
Description: Gasket, cylinder head, 1 stage	
Recommended: One spare	
<b>3110</b>	NP-2202-0010A
Description: Gasket, cylinder base, 2 stage	
<b>3177</b>	NP-2202-0022A
Description: Gasket, crankcase back plate	
Required: Gasket sealant	
<b>3733</b>	NP-2202-0136A
Description: Gasket, cover	
Recommended: One spare	
<b>4466</b>	NP-2202-0018A
Description: Gasket, cylinder head	
Recommended: Two spare	
<b>4479</b>	NP-2202-0167A
Description: Gasket	
<b>4675</b>	NP-2202-0020A
Description: Gasket, valves, 1 stage	
Recommended: Two spare	
<b>5298</b>	NP-2202-0021A
Description: Gasket, valves, 1 stage	
Recommended: Two spare	
<b>5523</b>	NP-2202-0023A
Description: Gasket, intake manifold, 1 stage	
<b>56668</b>	NP-2202-0497A
Description: Gasket	
<b>56983</b>	NP-2202-0323A
Description: Gasket, final disch fitting	
Recommended: One spare	
<b>58144</b>	NP-2202-0175A
Description: Gasket, cylinder head, 1stage	
<b>58262</b>	NP-2202-0037A
Description: Gasket, cylinder head, 1 stage	
<b>58300</b>	NP-2202-0131A
Description: Gasket, lower case	
Required: Gasket sealant	
<b>58545</b>	NP-2202-0038A
Description: Gasket, cylinder head	
Recommended: One spare	
<b>61183</b>	NP-2202-0454A
Description: Gasket	
<b>6192</b>	NP-2202-0129A
Description: Gasket, demister cover	
Recommended: One spare	
<b>63340</b>	NP-2202-0073A
Description: Gasket, cylinder head, 1 stage	



## Continuation of Gaskets, Seals, &amp; O-rings



ABOVE: Assortment of Gaskets, O-rings, &amp; Seals

Fits	NP Number
<b>67979</b>	NP-2202-0429A
Description: Gasket	
<b>78421</b>	NP-2202-0428A
Description: Gasket, oil pump housing	
Recommended: One spare	
<b>7862</b>	NP-2202-0024A
Description: Gasket, cylinder base	
<b>8263</b>	NP-2202-0330A
Description: Gasket, interstage relief valve	
<b>8264</b>	NP-2202-0337A
Description: Gasket	
<b>9284</b>	NP-2202-0351A
Description: Gasket	
<b>N00002</b>	NP-2202-0043A
Description: Gasket	
<b>N00004</b>	NP-2202-0044A
Description: Gasket, oil reg	
Recommended: One spare	
<b>N00050</b>	NP-2202-0328A
Description: Gasket	
<b>N00086</b>	NP-2202-0045A
Description: Seal, shaft	
<b>N00170</b>	NP-2202-0047A
Description: Seal, shaft	
<b>N00220</b>	NP-2202-0048A
Description: Seal, shaft	
<b>N00260</b>	NP-2202-0484A
Description; Seal, shaft	
<b>N00380</b>	NP-2202-0080A
Description: Gasket	

Fits	NP Number
<b>N00582</b>	NP-2202-0082A
Description: Seal, shaft	
<b>N00631</b>	NP-2202-0168A
Description: O-ring	
<b>N00638</b>	NP-2202-0083A
Description: O-ring	
Recommended: One spare	
<b>N01028</b>	NP-2202-0164A
Description: Gasket, oil drain plug	
<b>N01059</b>	NP-2202-0049A
Description: Gasket, oil dipstick tube	
Required: Gasket sealant	
<b>N01316</b>	NP-2202-0050A
Description: Gasket	
Recommended: Two spare	
<b>N01338</b>	NP-2202-0161A
Description: O-ring	
<b>N01539</b>	NP-2202-0088A
Description: O-ring, intake pipe	
<b>N02028</b>	NP-2202-0090A
Description: O-ring	
<b>N02169</b>	NP-2202-0091A
Description: O-ring, suction valve, 1 stage	
Recommended: One spare	
<b>N02320</b>	NP-2202-0092A
Description: O-ring	
Recommended: One spare	
<b>N02507</b>	NP-2202-0093A
Description: O-ring, piston/sleeve	
Recommended: Two spares	
<b>N0260</b>	NP-2202-0484A
Description: Seal, shaft	
<b>N02640</b>	NP-2202-0477A
Description: O-ring	
<b>N02639</b>	NP-2202-0343A
Description: O-ring, cylinder base, 1 stage	
<b>N02714</b>	NP-2202-0335A
Description: Gasket	
<b>N02753</b>	NP-2202-0095A
Description: O-ring	
<b>N02789</b>	NP-2202-0052A
Description: O-ring, final stage	
Recommended: One spare	
<b>N02861</b>	NP-2202-0096A
Description: Seal, shaft	

## Continuation of Gaskets, Seals, &amp; O-rings

Fits	NP Number
<b>N02906</b>	NP-2202-0098A
Description: Seal, shaft	
<b>N03013</b>	NP-2202-0099A
Description: Seal, shaft	
<b>N03157</b>	NP-2202-0100A
Description: O-ring, 2 stage	
Recommended: Two spares	
<b>N03331</b>	NP-2202-0214A
Description: O-ring	
<b>N03521</b>	NP-2202-0103A
Description: O-ring, valve cover	
Recommended: One spare	
<b>N03556</b>	NP-2202-0104A
Description: O-ring, interstage filter	
<b>N03625</b>	NP-2202-0109A
Description: Gasket	
<b>N03705</b>	NP-2202-0110A
Description: O-ring, backcase	
<b>N03712</b>	NP-2202-0111A
Description: O-ring, valve head, 1 stage	
<b>N03726</b>	NP-2202-0336A
Description: O-ring, eccentric cover	
<b>N03731</b>	NP-2202-0112A
Description: O-ring	
<b>N03732</b>	NP-2202-0163A
Description: O-ring	
<b>N03745</b>	NP-2202-0455A
Description: O-ring, rear flange seal plate	
<b>N03824</b>	NP-2202-0165A
Description: O-ring, PMV	
Recommended: Two spares	

### Finding New Parts™

With worldwide representatives, you can locate New Parts™ almost anywhere or enlist a service-tech to complete the repair.

Contact customer service via e-mail:

**info@Compressor-Parts.com**

or

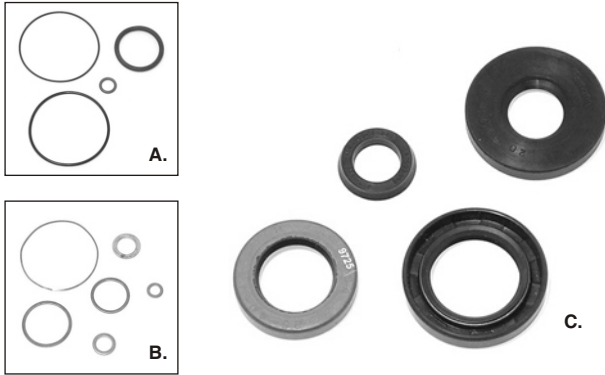
**305-430-0550**

in order to find a New Parts™ agent near you.

Fits	NP Number
<b>N03860</b>	NP-2202-0114A
Description: O-ring	
<b>N03951</b>	NP-2202-0509A
Description: O-ring	
<b>N03997</b>	NP-2202-0456A
Description: O-ring, valve cap	
<b>N04051</b>	NP-2202-0151A
Description: Gasket, oil spoolpiece (and other)	
Recommended: One spare	
<b>N04058</b>	NP-2202-0457A
Description: O-ring	
<b>N04064</b>	NP-2202-0115A
Description: O-ring, cylinder base, 2-3-4 stage	
Recommended: One spare	
<b>N04146</b>	NP-2202-0327A
Description: O-ring	
<b>N04333</b>	NP-2202-0510A
Description: O-ring	
<b>N04385</b>	NP-2202-0458A
Description: O-ring, final valve to head	
Recommended: One spare	
<b>N04451</b>	NP-2202-0140A
Description: O-ring	
Recommended: Two spares	
<b>N04496</b>	NP-2202-0155A
Description: O-ring	
<b>N04566</b>	NP-2202-0482A
Description: O-ring	
<b>N04586</b>	NP-2202-0160A
Description: O-ring, PO filter housing	
Recommended: One spare	
<b>N04600</b>	NP-2202-0162A
Description: O-ring, oil regulator	
<b>N04601</b>	NP-2202-0166A
Description: O-ring	
<b>N04602</b>	NP-2202-0148A
Description: Seal ring (USIT), auto drain system	
Recommended: One spare	
<b>N04653</b>	NP-2202-0190A
Description: O-ring, backcase	
<b>N04654</b>	NP-2202-0213A
Description: O-ring, cylinder base, 1 stage	
<b>N04776</b>	NP-2202-0459A
Description: O-ring, final valve	
Recommended: One spare	



## Continuation of Gaskets, Seals, &amp; O-rings



A. O-rings B. Copper Gaskets C. Shaft Seals

Fits	NP Number
<b>N04825</b>	NP-2202-0332A
Description: O-ring	
<b>N04855</b>	NP-2202-0329A
Description: O-ring	
<b>N04857</b>	NP-2202-0333A
Description: O-ring	
<b>N04868</b>	NP-2202-0121A
Description: O-ring, cylinder, 3 stage	
<b>N04877</b>	NP-2202-0331A
Description: O-ring	
<b>N04881</b>	NP-2202-0157A
Description: O-ring, ACD	
<b>N04882</b>	NP-2202-0326A
Description: O-ring	
<b>N04948</b>	NP-2202-0122A
Description: O-ring, cylinder, 1 stage	
<b>N07063</b>	NP-2202-0388A
Description: O-ring	
<b>N07091</b>	NP-2202-0150A
Description: O-ring, oil sightglass	
Recommended: Two spares	
<b>N1028</b>	NP-2202-0164A
Description: Gasket, oil drain plug	
<b>N1059</b>	NP-2202-0049A
Description: Gasket, oil dipstick tube	
Required: Gasket sealant	
<b>N1316</b>	NP-2202-0050A
Description: Gasket	
Recommended: Two spare	
<b>N1338</b>	NP-2202-0161A
Description: O-ring	

Fits	NP Number
<b>N15067</b>	NP-2202-0098A
Description: Seal, shaft	
<b>N15124</b>	NP-2202-0334A
Description: O-ring	
Recommended: One spare	
<b>N15204</b>	NP-2202-0324A
Description: O-ring	
<b>N15205</b>	NP-2202-0325A
Description: O-ring	
<b>N15265</b>	NP-2202-0472A
Description: O-ring	
Recommended: One spare	
<b>N1539</b>	NP-2202-0088A
Description: O-ring, intake pipe	
<b>N16269</b>	NP-2202-0156A
Description: Sealing ring	
<b>N16554</b>	NP-2202-0338A
Description: O-ring	
<b>N16591</b>	NP-2202-0340A
Description: O-ring	
<b>N170</b>	NP-2202-0047A
Description: Seal, shaft	
<b>N17071</b>	NP-2202-0339A
Description: Seal ring (USIT), ACD	
Recommended: One spare	
<b>N17959</b>	NP-2202-0478A
Description: O-ring	
<b>N18305</b>	NP-2202-0453A
Description: Seal, shaft	
<b>N2</b>	NP-2202-0043A
Description: Gasket	
<b>N2028</b>	NP-2202-0090A
Description: O-ring	
<b>N2169</b>	NP-2202-0091A
Description: O-ring, suction valve, 1 stage	
<b>N220</b>	NP-2202-0048A
Description: Seal, shaft	
<b>N2320</b>	NP-2202-0092A
Description: O-ring	
Recommended: One spare	
<b>N23753</b>	NP-2202-0114A
Description: O-ring	
<b>N23755</b>	NP-2202-0114A
Description: O-ring	



## Continuation of Gaskets, Seals, &amp; O-rings

Fits	NP Number
<b>N2507</b>	NP-2202-0093A
Description: O-ring, piston/sleeve	
Recommended: Two spares	
<b>N25212</b>	NP-2202-0365A
Description: O-ring	
<b>N25327</b>	NP-2202-0460A
Description: O-ring	
<b>N260</b>	NP-2202-0484A
Description: Seal, shaft	
<b>N2639</b>	NP-2202-0343A
Description: O-ring, cylinder base, 1 stage	
<b>N2640</b>	NP-2202-0477A
Description: O-ring	
<b>N2714</b>	NP-2202-0335A
Description: Gasket	
<b>N2753</b>	NP-2202-0095A
Description: O-ring	
<b>N2789</b>	NP-2202-0052A
Description: O-ring, final stage	
Recommended: One spare	
<b>N2861</b>	NP-2202-0096A
Description: Seal, shaft	
<b>N2906</b>	NP-2202-0098A
Description: Seal, shaft	
<b>N3013</b>	NP-2202-0099A
Description: Seal, shaft	
<b>N3157</b>	NP-2202-0100A
Description: O-ring, 2 stage	
Recommended: Two spares	
<b>N3331</b>	NP-2202-0214A
Description: O-ring	
<b>N3521</b>	NP-2202-0103A
Description: O-ring, valve cover	
Recommended: One spare	
<b>N3556</b>	NP-2202-0104A
Description: O-ring, interstage filter	
<b>N3625</b>	NP-2202-0109A
Description: Gasket	
<b>N3705</b>	NP-2202-0110A
Description: O-ring, backcase	
<b>N3712</b>	NP-2202-0111A
Description: O-ring, valve head, 1 stage	

Fits	NP Number
<b>N3726</b>	NP-2202-0336A
Description: O-ring, eccentric cover	
<b>N3731</b>	NP-2202-0112A
Description: O-ring	
<b>N3732</b>	NP-2202-0163A
Description: O-ring	
<b>N3745</b>	NP-2202-0455A
Description: O-ring, rear flange seal plate	
<b>N380</b>	NP-2202-0080A
Description: Gasket	
<b>N3824</b>	NP-2202-0165A
Description: O-ring, PMV	
Recommended: Two spares	
<b>N3860</b>	NP-2202-0114A
Description: O-ring	
<b>N3951</b>	NP-2202-0509A
Description: O-ring	
<b>N3997</b>	NP-2202-0456A
Description: O-ring, valve cap	
<b>N4</b>	NP-2202-0044A
Description: Gasket, oil reg	
Recommended: One spare	
<b>N4051</b>	NP-2202-0151A
Description: Gasket, oil spoolpiece (and other)	
Recommended: One spare	
<b>N4058</b>	NP-2202-0457A
Description: O-ring	
<b>N4064</b>	NP-2202-0115A
Description: O-ring, cylinder base, 2-3-4 stage	
Recommended: One spare	
<b>N4146</b>	NP-2202-0327A
Description: O-ring	
<b>N4333</b>	NP-2202-0501A
Description: O-ring, acd manifold	
<b>N4385</b>	NP-2202-0458A
Description: O-ring, final valve to head	
<b>N4451</b>	NP-2202-0140A
Description: O-ring	
Recommended: Two spares	
<b>N4496</b>	NP-2202-0155A
Description: O-ring	
<b>N4566</b>	NP-2202-0482A
Description: O-ring	
<b>N4586</b>	NP-2202-0160A
Description: O-ring, PO filter housing	
Recommended: One spare	



## Continuation of Gaskets, Seals, &amp; O-rings

Fits	NP Number
<b>N4600</b>	NP-2202-0162A
Description: O-ring, oil regulator	
<b>N4601</b>	NP-2202-0166A
Description: O-ring	
<b>N4602</b>	NP-2202-0148A
Description: Seal ring (USIT), auto drain system	
<b>N4653</b>	NP-2202-0190A
Description: O-ring, backcase	
<b>N4654</b>	NP-2202-0213A
Description: O-ring, cylinder base , 1 stage	
<b>N4776</b>	NP-2202-0459A
Description: O-ring, final valve	
<b>N4825</b>	NP-2202-0332A
Description: O-ring	
<b>N4855</b>	NP-2202-0329A
Description: O-ring	
<b>N4857</b>	NP-2202-0333A
Description: O-ring	
<b>N4868</b>	NP-2202-0121A
Description: O-ring, cylinder, 3 stage	
<b>N4877</b>	NP-2202-0331A
Description: O-ring	
<b>N4881</b>	NP-2202-0157A
Description: O-ring, ACD	
<b>N4882</b>	NP-2202-0326A
Description: O-ring	
<b>N4948</b>	NP-2202-0122A
Description: O-ring, cylinder, 1 stage	
<b>N50</b>	NP-2202-0328A
Description: Gasket	
<b>N582</b>	NP-2202-0082A
Description: Seal, shaft	
<b>N631</b>	NP-2202-0168A
Description: O-ring	
<b>N638</b>	NP-2202-0083A
Description: O-ring	
Recommended: One spare	
<b>N7063</b>	NP-2202-0388A
Description: O-ring	
<b>N7091</b>	NP-2202-0150A
Description: O-ring, oil sightglass	
Recommended: Two spares	
<b>N86</b>	NP-2202-0045A
Description: Seal, shaft	

## GAUGES



LEFT: Gauge (0-7500 psi), Gauge (0-600 psi), Panel Clamp RIGHT: Close up view of 0-600 psi Gauge (see NP-2213-0040A) with Panel Clamp Installed

Fits	NP Number
<b>GAG-0008W</b>	NP-2213-0041A
Description: Gauge, 0-1500 psi, panel mount	
Included: Panel clamp Required: Hole size of 2.5"	
<b>GAG-0006W</b>	NP-2213-0039A
Description: Gauge, 0-200 psi, panel mount	
Included: Panel clamp Required: Hole size of 2.5"	
<b>GAG-0007W</b>	NP-2213-0040A
Description: Gauge, 0-600 psi, panel mount	
Included: Panel clamp Required: Hole size of 2.5"	
<b>GAG-0009W</b>	NP-2213-0042A
Description: Gauge, 0-7500 psi, panel mount	
Included: Panel clamp Required: Hole size of 2.5"	
<b>GAG-10,000</b>	NP-2213-0481A
Description: Gauge, 0-10,000 psi, panel mount	
Included: Panel clamp Required: Hole size of 2.5"	
<b>GAG-3</b>	NP-2213-0499A
Description: Front Flange - 3 hole	
Required: Hole size of 2.5"	
<b>GAU-0200</b>	NP-2213-0039A
Description: Gauge, 0-200 psi, panel mount	
Included: Panel clamp Required: Hole size of 2.5"	
<b>GAU-0600</b>	NP-2213-0040A
Description: Gauge, 0-600 psi, panel mount	
Included: Panel clamp Required: Hole size of 2.5"	
<b>GAU-10,000</b>	NP-2213-0481A
Description: Gauge, 0-10,000 psi, panel mount	
Included: Panel clamp Required: Hole size of 2.5"	
<b>GAU-1500</b>	NP-2213-0041A
Description: Gauge, 0-1500 psi, panel mount	
Included: Panel clamp Required: Hole size of 2.5"	
<b>GAU-7500</b>	NP-2213-0042A
Description: Gauge, 0-7500 psi, panel mount	
Included: Panel clamp Required: Hole size of 2.5"	

### INTAKE FILTERS



ABOVE: Miscellaneous Intake Filters

Fits	NP Number
<b>005523</b>	NP-2202-0023A
Description: Gasket, intake manifold, 1 stage	
<b>010528</b>	NP-2221-0056A
Description: Spring, intake filter housing	
<b>059433</b>	NP-2221-0215A
Description: Cover, intake housing	
Recommended: One spare Note: Transparent for easy inspection of filter element	
<b>10528</b>	NP-2221-0056A
Description: Spring, intake filter housing	
<b>5523</b>	NP-2202-0023A
Description: Gasket, intake manifold, 1 stage	
<b>59433</b>	NP-2221-0215A
Description: Cover, intake housing	
Recommended: One spare Note: Transparent for easy inspection of filter element	
<b>N01539</b>	NP-2202-0088A
Description: O-ring, intake pipe	
<b>N1539</b>	NP-2202-0088A
Description: O-ring, intake pipe	

### INTAKE FILTER ELEMENTS



ABOVE: Assortment of Intake Filter Elements  
RIGHT: Close up view of Intake Filter Element

Fits	NP Number
<b>N03029</b>	AA-222203-PP
Description: Element, Intake Housing	
Recommended: One Spare	
<b>N4823</b>	AA-222201-PP
Description: Element, Intake Housing	
Recommended: One Spare	
<b>N70</b>	AA-222202-PP
Description: Element, Intake Housing	
Recommended: One Spare	

### LUBE SYSTEM



A. Oil Filter B. Oil Pressure Switch C. Oil Particle Filter D. Spool Piece

Fits	NP Number
<b>002010</b>	NP-2202-0016A
Description: Gasket, oil pump	
Required: Gasket sealant Recommended: One spare	
<b>056301</b>	NP-2207-0149A
Description: Spoolpiece, oil sightglass	
Note: O-rings available separately (order NP-2202-0150A)	
<b>056302</b>	NP-2207-0070A
Description: Sightglass, oil return	

### Finding New Parts™

With worldwide representatives, you can locate New Parts™ almost anywhere or enlist a service-tech to complete the repair. Contact customer service via e-mail: **info@Compressor-Parts.com** or **305-430-0550** in order to find a New Parts™ agent near you.

## Continuation of Lube System

Fits	NP Number
<b>058119</b>	NP-2207-0463A
Description: Seat, oil regulator	
Recommended: One spare	
<b>072439</b>	NP-2207-0434AK
Description: Rebuild Kit, oil regulator	
Recommended: One spare	
<b>077774</b>	NP-2207-0507A
Description: Rubber Grommet	
<b>2010</b>	NP-2202-0016A
Description: Gasket, oil pump	
Required: Gasket sealant Recommended: One spare	
<b>56301</b>	NP-2207-0149A
Description: Spoolpiece, oil sightglass	
Note: O-rings available separately (order NP-2202-0150A)	
<b>56302</b>	NP-2207-0070A
Description: Sightglass, oil return	
<b>58119</b>	NP-2207-0463A
Description: Seat, oil regulator	
Recommended: One spare	
<b>72439</b>	NP-2207-0434AK
Description: Rebuild Kit, oil regulator	
Recommended: One spare	
<b>N00002</b>	NP-2202-0043A
Description: Gasket	
<b>N00004</b>	NP-2202-0044A
Description: Gasket, oil reg	
Recommended: One spare	
<b>N01028</b>	NP-2202-0164A
Description: Gasket, oil drain plug	
<b>N01059</b>	NP-2202-0049A
Description: Gasket, oil dipstick tube	
Required: Gasket sealant	
<b>N02768</b>	NP-2207-0464A
Description: Ball, oil regulator	
Recommended: One spare	
<b>N04051</b>	NP-2202-0151A
Description: Gasket, oil spoolpiece (and other)	
Recommended: One spare	
<b>N04600</b>	NP-2202-0162A
Description: O-ring, oil regulator	
<b>N07091</b>	NP-2202-0150A
Description: O-ring, oil sightglass	
Recommended: Two spares	

Fits	NP Number
<b>N1028</b>	NP-2202-0164A
Description: Gasket, oil drain plug	
<b>N1059</b>	NP-2202-0049A
Description: Gasket, oil dipstick tube	
Required: Gasket sealant	
<b>N2</b>	NP-2202-0043A
Description: Gasket	
<b>N25326</b>	FO-220030-PP
Description: Filter Element, oil	
<b>N2768</b>	NP-2207-0464A
Description: Ball, oil regulator	
Recommended: One spare	
<b>N4</b>	NP-2202-0044A
Description: Gasket, oil reg	
Recommended: One spare	
<b>N4051</b>	NP-2202-0151A
Description: Gasket, oil spoolpiece (and other)	
Recommended: One spare	
<b>N4600</b>	NP-2202-0162A
Description: O-ring, oil regulator	
<b>N7091</b>	NP-2202-0150A
Description: O-ring, oil sightglass	
Recommended: Two spares	
<b>SWT-0119,</b>	NP-2220-0139A
Description: Switch, oil pressure	
Note: Adjustable withing 700-1500psi	

## About Our Floating Pistons

After 5 years in development and 2 years of testing, you can take confidence in New Part™ floating pistons. The engineering competes well against the OEM design - having been made of the newest generation of materials and within highly critical tolerances. The liner is built of the same material as used in high-performance racing engines - able to displace high heat loads, resist wear, and continually provide a film of lubrication. Tests have shown the piston keeps on running in the liner even at reduced oil pressures! The piston pin is produced to aircraft engine specifications - carefully heat treated so that it's outer shell is hard and it's center soft - resisting impact & shock. Lastly, it is rotationally ground and finished within micro thousandths of an inch. All of this enables the piston & liner to pair up when withstanding terrific work forces and producing extreme pressures.

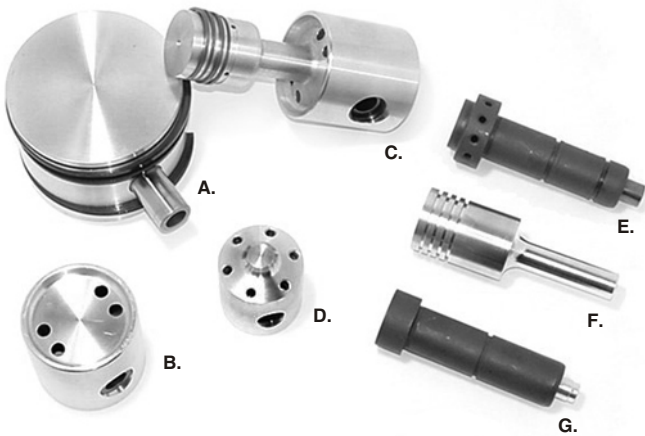


## PISTONS & PISTON RINGS

At reciprocating speeds of up to 2400ft /sec<sup>2</sup> fps - you can imagine the inertial thrust that a piston must withstand. In the case of a piston in a Bauer Compressor® - add top end pressures of over 6000 psi, friction generated at (as much as) 2000 cycles per minute, and temperatures at over 400 degrees.

Like the pistons that carry them, piston rings are seeing some of the toughest operating conditions in the compressor - high speeds, great friction, and sweltering temperatures. Acting as a seal against the cylinder wall - the ring prevents compressed gas from escaping through the backside of the piston, hence building pressure instead. Meanwhile, it's important that the rings carry a film of lubricating oil but not so much as to act like an oil pump. They have to wipe away any debris but without scoring or damaging the cylinder wall. It's a demanding job. Here's why New Part™ pistons rings will endure those demands:

- **PHOSPHATE OR CHROMED COATINGS** facilitate long shelf life, longer running lives, corrosion resistance, and better wear properties.
- **TIGHTEST POSSIBLE RING GAPS** reduce "blow-by" - thus gaining maximum output of compressed air/gas. Even after cylinders begin to show signs of wear - the rings still have sufficient expansion potential without the ring-gap opening beyond acceptable limits.



A. Piston w/ Rings (see NP-2210-0379A) B. Guide Piston (see NP-2210-0380A)  
 C. Piston w/ Rings (see NP-2210-0471A) D. Guide Piston E. Floating Piston  
 F. Piston w/Rings (see NP-2210-0134A) G. Floating Piston (see NP-2210-0347A)

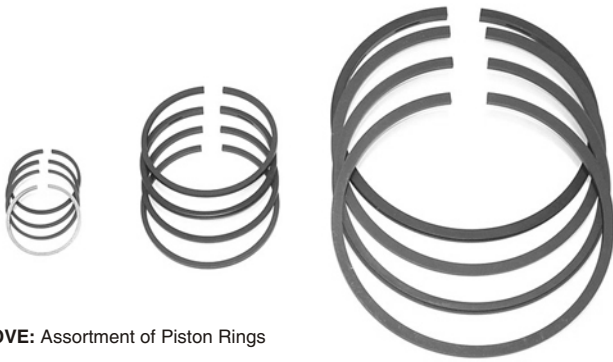
**WHEN CALLED FOR, OUR PISTON ASSEMBLIES INCLUDE THE PISTON RINGS, WRIST PIN, AND RETAINING CLIPS.**

Fits	NP Number
011612	NP-2210-0379A
Description: Piston (w/ Rings)	
Included: Rings, wrist pin, & clips	

Fits	NP Number
012093	NP-2210-0380A
Description: Piston, guide	
Included: Wrist pin & clips	
012094	NP-2210-0347A
Description: Piston (w/ Liner), floating	
Included: O-rings Recommended: One spare	
014585	NP-2210-0348A
Description: Piston (w/ Liner), floating	
Included: O-rings Recommended: One spare	
014609	NP-2210-0470A
Description: Piston (w/ Liner), floating	
Included: O-rings Recommended: One spare	
014742	NP-2210-0364A
Description: Piston (w/ Liner), floating	
Included: O-rings Recommended: One spare	
016313	NP-2211-0390A
Description: Ring Set, 32 mm	
057154	NP-2210-0518A
Description: Piston (w/ Rings)	
066934	NP-2210-0347A
Description: Piston (w/ Liner), floating	
Included: O-rings Recommended: One spare	
069975	NP-2210-0379A
Description: Piston (w/ Rings)	
Included: Rings, wrist pin, & clips	
072165	NP-2210-0378A
Description: Piston, guide	
Included: Wrist pin & clips	
072176	NP-2210-0057A
Description: Piston, (w/ Rings)	
Included: Rings, wrist pin, & clips	
11612	NP-2210-0379A
Description: Piston (w/ Rings)	
Included: Rings, wrist pin, & clips	
12093	NP-2210-0380A
Description: Piston, guide	
Included: Wrist pin & clips	
12094	NP-2210-0347A
Description: Piston (w/ Liner), floating	
Included: O-rings Recommended: One spare	
14585	NP-2210-0348A
Description: Piston (w/ Liner), floating	
Included: O-rings Recommended: One spare	
14609	NP-2210-0470A
Descriptions: Piston (w/ Liner), floating	
Included: O-rings Recommended: One spare	



## Continuation of Pistons &amp; Piston Rings



ABOVE: Assortment of Piston Rings

Fits	NP Number
<b>14742</b>	NP-2210-0364A
Description: Piston (w/ Liner), floating	
Included: O-rings Recommended: One spare	
<b>16313</b>	NP-2211-0390A
Description: Ring Set, 32 mm	
<b>4375</b>	NP-2210-0134A
Description: Piston (w/ Rings), floating, 32 mm	
Included: Rings, wrist pin, & clips	
<b>57154</b>	NP-2210-0518A
Description: Piston (w/ Rings)	
<b>66934</b>	NP-2210-0347A
Description: Piston (w/ Liner), floating	
Included: O-rings Recommended: One spare	
<b>69975</b>	NP-2210-0379A
Description: Piston (w/ Rings)	
Included: Rings, wrist pin, & clips	
<b>70013</b>	NP-2210-0134A
Description: Piston (w/ Rings), floating, 32 mm	
Included: Rings, wrist pin, & clips	
<b>72165</b>	NP-2210-0378A
Description: Piston, guide	
Included: Wrist pin & clips	
<b>72176</b>	NP-2210-0057A
Description: Piston (w/ Rings), floating, 36 mm	
Included: Rings, wrist pin, & clips	
<b>72249</b>	NP-2210-0471A
Description: Piston (w/ Rings), 2nd stage	
Included: Rings, wrist pin, & clips	
<b>N00794</b>	NP-2210-0057A
Description: Piston (w/ Rings), floating, 36 mm	
Included: Rings, wrist pin, & clips	

Fits	NP Number
<b>N00858</b>	NP-2210-0378A
Description: Piston, guide	
Included: Wrist pin & clips	
<b>N01080</b>	NP-2211-0385A
Description: Ring Set, 88 mm	
Note: Only fits K14-85 model	
<b>N01082</b>	NP-2211-0384A
Description: Ring Set, 45 mm	
<b>N01084</b>	NP-2211-0383A
Description: Ring Set, 22 mm	
<b>N01461</b>	NP-2211-0389A
Description: Ring Set, 60 mm	
<b>N01462</b>	NP-2211-0371A
Description: Ring Set, 36 mm	
<b>N01787</b>	NP-2211-0377A
Description: Ring Set, 88 mm	
<b>N02001</b>	NP-2211-0423A
Description: Ring Set, 60 mm	
<b>N02257</b>	NP-2211-0389A
Description: Ring Set, 60 mm	
<b>N02647</b>	NP-2211-0376A
Description: Ring Set, 36 mm	
<b>N02963</b>	NP-2211-0391A
Description: Ring Set, 120 mm	
<b>N03215</b>	NP-2211-0370A
Description: Ring Set, 70 mm	
<b>N03856</b>	NP-2211-0370A
Description: Ring Set, 70 mm	

## NewPart™ Compressor Coaches . . .

are compressor experts, each having decades of professional, hands-on, field experience. You'll receive guidance from these folks who've spent their careers as field technicians, shop supervisors, and small business owners in the field of compressor technologies.

Most of our coaches have since retired from field service and now share one goal - to help you learn and solve the challenge of keeping your compressor equipment running at its' fullest.

**Contact Us - we are what HELP is all about!**  
**305-430-0550 or info@compressor-parts.com**

Continuation of Pistons & Piston Rings

Fits	NP Number
<b>N04158</b>	NP-2211-0376A
Description: Ring Set, 36 mm	
<b>N04206</b>	NP-2211-0393A
Description: Ring Set, 60 mm	
<b>N04375</b>	NP-2211-0390A
Description: Ring Set, 32 mm	
<b>N04378</b>	NP-2210-0134A
Description: Piston (w/ Rings), floating, 32 mm	
Included: Rings, wrist pin, & clips	
<b>N04642</b>	NP-2211-0461A
Description: Ring Set	
<b>N04859</b>	NP-2211-0426A
Description: Ring Set	
<b>N1080</b>	NP-2211-0385A
Description: Ring Set, 88 mm	
Note: Only fits K14-85 model	
<b>N1082</b>	NP-2211-0384A
Description: Ring Set, 45 mm	
<b>N1084</b>	NP-2211-0383A
Description: Ring Set, 22 mm	
<b>N1461</b>	NP-2211-0389A
Description: Ring Set, 60 mm	
<b>N1462</b>	NP-2211-0371A
Description: Ring Set, 36 mm	
<b>N15816</b>	NP-2211-0392A
Description: Ring Set, 28 mm	
<b>N16313</b>	NP-2211-0390A
Description: Ring Set, 32 mm	
<b>N17039</b>	NP-2211-0427A
Description: Ring Set	
<b>N1787</b>	NP-2211-0377A
Description: Ring Set, 88 mm	
<b>N18861</b>	NP-2211-0422A
Description: Ring Set	
<b>N19833</b>	NP-2211-0425A
Description: Ring Set	
Note: 1-Crome 3-cast iron w/ Teflon Coating	
<b>N2001</b>	NP-2211-0423A
Description: Ring Set, 60 mm	
<b>N2257</b>	NP-2211-0389A
Description: Ring Set, 60 mm	
<b>N25396</b>	NP-2211-0424A
Description: Ring Set	

Fits	NP Number
<b>N2647</b>	NP-2211-0376A
Description: Ring Set, 36 mm	
<b>N2963</b>	NP-2211-0391A
Description: Ring Set, 120 mm	
<b>N3215</b>	NP-2211-0370A
Description: Ring Set, 70 mm	
<b>N3856</b>	NP-2211-0370A
Description: Ring Set, 70 mm	
<b>N4158</b>	NP-2211-0376A
Description: Ring Set, 36 mm	
<b>N4206</b>	NP-2211-0393A
Description: Ring Set, 60 mm	
<b>N4375</b>	NP-2211-0390A
Description: Ring Set, 32 mm	
<b>N4378</b>	NP-2210-0134A
Description: Piston (w/ Rings), floating, 32mm	
Included: Rings, wrist pin, & clips	
<b>N4642</b>	NP-2211-0461A
Description: Ring Set	
<b>N4859</b>	NP-2211-0426A
Description: Ring Set	
<b>N794</b>	NP-2210-0057A
Description: Piston (w/ Rings), floating, 36mm	
Included: Rings, wristpin, & clips	
<b>N858</b>	NP-2210-0378A
Description: Piston, guide	
Included: Wristpin & clips	

### The New Parts™ Promise

New Parts™ are manufactured to stringent quality standards. Our craftsmen are determined individuals who pride themselves on perfection and every detail in New Parts™ reflects that pride - right down to the packaging. We are so confident in our product, that we offer you this: when properly installed - we promise that each and every New Part™ will match or exceed the performance of the OEM part. We're positive that New Parts™ will meet your expectations. We promise, or your money back!



## PLUMBING



ABOVE: Assortment of Fittings

Fits	NP Number
<b>010253</b>	NP-2215-0367A
Description: Relief Valve	
Included: Gasket	
<b>010254</b>	NP-2215-0369A
Description: Relief Valve	
Included: Gasket	
<b>010255</b>	NP-2215-0381A
Description: Relief Valve, 1 stage	
Included: Gasket	
<b>010670</b>	NP-2215-0209A
Description: Relief Valve	
Included: Gasket	
<b>011656</b>	NP-2215-0210A
Description: Relief Valve	
Included: Gasket	
<b>012885</b>	NP-2215-0367A
Description: Relief Valve	
Included: Gasket	
<b>012886</b>	NP-2215-0368A
Description: Relief Valve	
Included: Gasket	
<b>072935</b>	NP-2215-0366A
Description: Relief Valve	
Included: Gasket	
<b>078706</b>	NP-2215-0500A
Description: Relief Valve	
Included: Gasket	

Fits	NP Number
<b>10253</b>	NP-2215-0367A
Description: Relief Valve	
Included: Gasket	
<b>10254</b>	NP-2215-0369A
Description: Relief Valve	
Included: Gasket	
<b>10255</b>	NP-2215-0381A
Description: Relief Valve, 1 stage	
Included: Gasket	
<b>10670</b>	NP-2215-0209A
Description: Relief Valve	
Included: Gasket	
<b>11656</b>	NP-2215-0210A
Description: Relief Valve	
Included: Gasket	
<b>12885</b>	NP-2215-0367A
Description: Relief Valve	
Included: Gasket	
<b>12886</b>	NP-2215-0368A
Description: Relief Valve	
Included: Gasket	
<b>78706</b>	NP-2215-0500A
Description: Relief Valve	
Included: Gasket	
<b>CON-0266</b>	NP-2214-0123A
Description: Fitting, male connector, 12 mm LL	
Recommended: One spare	
<b>N03608</b>	NP-2214-0105A
Description: Fitting, compressor nut, 12 mm LL	
Recommended: One spare	
<b>N03609</b>	NP-2214-0106A
Description: Fitting, ferulle, 12 mm LL	
Recommended: Two spare	
<b>N07441</b>	NP-2214-0483A
Description: Compression Ferulle, breather tube	
<b>N07838</b>	NP-2214-0123A
Description: Fitting, male connector, 12 mm LL	
Recommended: One spare	
<b>N15400</b>	NP-2214-0123A
Description: Fitting, male connector, 12 mm LL	
Recommended: One spare	
<b>N20209</b>	NP-2214-0171A
Description: Fitting, final discharge, 8 mm S	
Recommended: One spare	
<b>N20341</b>	NP-2214-0123A
Description: Fitting, male connector, 12 mm LL	
Recommended: One spare	





Continuation of Plumbing

Fits	NP Number
<b>N3418</b>	NP-2214-0123A
Description: Fitting, male connector, 12 mm LL	
Recommended: One spare	
<b>N3608</b>	NP-2214-0105A
Description: Fitting, compression nut, 12 mm LL	
Recommended: One spare	
<b>N3609</b>	NP-2214-0106A
Description: Fitting, ferulle, 12 mm LL	
Recommended: Two spare	
<b>N7441</b>	NP-2214-0483A
Description: Compression Ferulle, breather tube	
<b>N7838</b>	NP-2214-0123A
Description: Fitting, male connector, 12 mm LL	
Recommended: One spare	
<b>NUT-0013</b>	NP-2214-0105A
Description: Fitting, compression nut, 12 mm LL	
Recommended: One spare	
<b>N/A</b>	VL-530130-TH
Description: Relief Valve, High Pressure	
Note: Adjust within 1000-5000 psi	
<b>N/A</b>	VL-530131-TH
Description: Relief Valve, High Pressure	
Note: Adjust within 1000-7000 psi	
<b>N/A</b>	VL-530141-TH
Description: Priority Valve, High Pressure	
Note: Adjust within 1000-4000 psi	

## VALVES

Compressor Valves operate at very high speeds and under extremes of temperature, impact, and corrosives. Valves have to endure relentless hours of abuse without giving up - here are the reasons New Part™ valves will endure:

- *Materials are selected based on ruggedness . . . materials whose performance characteristics are further **ENHANCED BY THERMAL TEMPERING AND ADDING SURFACE COATINGS.***
- *All **RUNNING EDGES ARE POLISHED** in order to prevent "hang up" of interfacing parts. This also facilitates smooth gas flow and disables carbon from depositing.*
- *Naturally, New Part™ valves are designed to perform exceptionally well. But just as importantly . . . they are designed to **INSTALL EXCEPTIONALLY EASILY** - helping you to Do-It-Yourself, without exception.*

Continuation of Valves



ABOVE: Assortment of Valves

Fits	NP Number
<b>000240</b>	NP-2202-0015A
Description: Gasket, valve seat	
<b>003039</b>	NP-2202-0017A
Description: Gasket, cylinder head, 1 stage	
Recommended: One spare	
<b>004466</b>	NP-2202-0018A
Description: Gasket, cylinder head	
Recommended: Two spare	
<b>004555</b>	NP-2217-0009A
Description: Tool, valve spanner	
Recommended: One spare	
<b>004675</b>	NP-2202-0020A
Description: Gasket, valves, 1 stage	
<b>005298</b>	NP-2202-0021A
Description: Gasket, valves, 1 stage	
<b>007790</b>	NP-2201-0001A
Description: Valve assembly, suction, final stage	
Required: Valve spanner tool to remove/install	
Recommended: One spare	
<b>009884</b>	NP-2201-0025A
Description: Valve plate, 1 stage	
<b>012228</b>	NP-2202-0119A
Description: Gasket, cylinder head, 1 stage	
<b>012343</b>	NP-2201-0036A
Description: Valve Insert, discharge, 1 stage	
<b>012835</b>	NP-2201-0004A
Description: Valve insert, discharge	
Required: Valve spanner tool to remove/install	
Recommended: One spare	



Fits	NP Number
<b>012836</b>	NP-2201-0005A
Description: Valve insert, suction	
Required: Valve spanner tool to remove/install Recommended: One spare	
<b>012840</b>	NP-2201-0006A
Description: Valve insert, discharge	
Required: Valve spanner tool to remove/install Recommended: One spare	
<b>012841</b>	NP-2201-0007A
Description: Valve insert, suction	
Required: Valve spanner tool to remove/install Recommended: One spare	
<b>013822</b>	NP-2201-0061A
Description: Valve insert, suction, 1stage	
Included: Cage, disc, spring, and gaskets Recommended: One spare	
<b>013823</b>	NP-2201-0036A
Description: Valve insert, discharge, 1 stage	
Included: Cage, disc, spring, and gaskets Recommended: One spare	
<b>014121</b>	NP-2201-0002A
Description: Valve assembly, discharge, final stage	
Included: O-ring NP-2202-0052A Recommended: One spare	
<b>014124</b>	NP-2201-0028A
Description: Valve cover, discharge	
Required: O-ring NP-2202-0103A Recommended: One spare	
<b>014332</b>	NP-2201-0068A
Description: Valve item, spring washer	
<b>014582</b>	NP-2201-0030A
Description: Valve assembly, discharge	
Included: Valve insert, disc, spring, o-ring, gaskets, cover, tension screw, & nut Recommended: One spare	
<b>014583</b>	NP-2201-0031A
Description: Valve assembly, discharge	
Included: Valve insert, disc, spring, o-ring, gaskets, cover, tension screw, & nut Recommended: One spare	

## To Locate A Dealer Near You

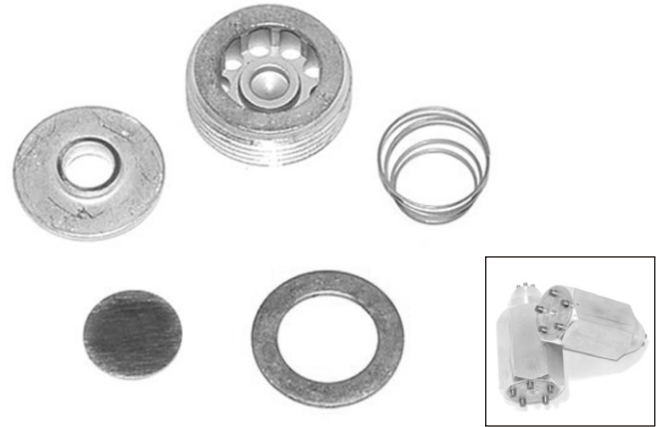
Call Us Monday - Friday  
8:30 am to 5:00 pm Est.

**800-338-5493 or 305-430-0550**

check out our website:

**www.Lawrence-Factor.com**

### Continuation of Valves



**LEFT:** Miscellaneous Valve Kit Component

**RIGHT:** Spanner Wrench (see NP-2217-0009A - page 32)

Fits	NP Number
<b>03039</b>	NP-2202-0017A
Description: Gasket, cylinder head, 1 stage Recommended: One spare	
<b>056406</b>	NP-2201-0032A
Description: Valve assembly, suction, 1 stage Included: Gaskets (2 pcs) NP-2202-0021A Recommended: One spare	
<b>056407</b>	NP-2201-0033A
Description: Valve assembly, discharge Included: Gaskets (2 pcs) NP-2202-0021A Recommended: One spare	
<b>058135</b>	NP-2201-0034A
Description: Valve assembly, discharge, 2 stage Included: O-ring NP-2202-0083A Recommended: One spare	
<b>058136</b>	NP-2201-0035A
Description: Valve assembly, suction, 2 stage Included: O-ring NP-2202-0083A Recommended: One spare	
<b>058144</b>	NP-2202-0175A
Description: Gasket, cylinder head, 1stage	
<b>058232</b>	NP-2201-0130A
Description: Valve insert, discharge Included: Valve insert, disc, spring, o-ring, gaskets, cover, tension screw, and nut Recommended: One spare	
<b>058262</b>	NP-2202-0037A
Description: Gasket, cylinder head, 1 stage	
<b>058545</b>	NP-2202-0038A
Description: Gasket, cylinder head	

Continuation of Valves



**LEFT:** Miscellaneous Valve Kit Component  
**RIGHT:** Set of Final Stage Valves (see NP-2201-0001A & NP-2201-0002A)

Fits	NP Number
<b>058855</b>	NP-2201-0132A
Description: Valve assembly, discharge	
Included: Valve insert, disc, spring, o-ring, gaskets, cover, tension screw, and nut Recommended: One spare	
<b>063340</b>	NP-2202-0073A
Description: Gasket, cylinder head, 1 stage	
<b>071064</b>	NP-2205-0177A
Description: Stud, valve tension	
Recommended: One spare	
<b>071064</b>	NP-2205-0177AK
Description: Stud, valve tension	
Recommended: One spare	
<b>071065</b>	NP-2205-0178A
Description: Stud, valve tension, fine	
Recommended: One spare	
<b>071065</b>	NP-2205-0178AK
Description: Stud, valve tension, fine	
Recommended: One spare	
<b>082048</b>	NP-2217-0517A
Description: Tool, valve spanner	
<b>12228</b>	NP-2202-0119A
Description: Gasket, cylinder head, 1 stage	
<b>12343</b>	NP-2201-0036A
Description: Valve insert, discharge, 1 stage	
Included: Cage, disc, spring, and gaskets	
Recommended: One spare	
<b>12835</b>	NP-2201-0004A
Description: Valve insert, discharge	
Required: Valve spanner tool to remove/ install	
Recommended: One spare	

Fits	NP Number
<b>12836</b>	NP-2201-0005A
Description: Valve insert, suction	
Required: Valve spanner tool to remove/install	
Recommended: One spare	
<b>12840</b>	NP-2201-0006A
Description: Valve insert, discharge	
Required: Valve spanner tool to remove/install	
Recommended: One spare	
<b>12841</b>	NP-2201-0007A
Description: Valve insert, suction	
Required: Valve spanner tool to remove/install	
Recommended: One spare	
<b>13822</b>	NP-2201-0061A
Description: Valve insert, suction, 1stage	
Included: Cage, disc, spring, and gaskets	
Recommended: One spare	
<b>13823</b>	NP-2201-0036A
Description: Valve insert, discharge, 1 stage	
Included: Cage, disc, spring, and gaskets	
Recommended: One spare	
<b>14121</b>	NP-2201-0002A
Description: Valve assembly, discharge, final stage	
Included: O-ring NP-2202-0052A	
Recommended: One spare	
<b>14124</b>	NP-2201-0028A
Description: Valve cover, discharge	
Required: O-ring NP-2202-0103A	
Recommended: One spare	
<b>14332</b>	NP-2201-0068A
Description: Valve item, spring washer	
<b>14582</b>	NP-2201-0030A
Description: Valve assembly, discharge	
Included: Valve insert, disc, spring, o-ring, gaskets, cover, tension screw, and nut Recommended: One spare	
<b>14583</b>	NP-2201-0031A
Description: Valve assembly, discharge	
Included: Valve insert, disc, spring, o-ring, gaskets, cover, tension screw, and nut Recommended: One spare	
<b>240</b>	NP-2202-0015A
Description: Gasket, valve seat	
<b>3039</b>	NP-2202-0017A
Description: Gasket, cylinder head, 1 stage	
Recommended: One spare	
<b>4466</b>	NP-2202-0018A
Description: Gasket, cylinder head	
Recommended: Two spare	
<b>4555</b>	NP-2217-0009A
Description: Tool, valve spanner	
Recommended: One spare	

## Continuation of Valves

Fits	NP Number
<b>4675</b>	NP-2202-0020A
Description: Gasket, valves, 1 stage	
<b>5298</b>	NP-2202-0021A
Description: Gasket, valves, 1 stage	
<b>56359</b>	NP-2201-0001A
Description: Valve assembly, suction, final stage	
Required: Valve spanner tool to remove/install	
Recommended: One spare	
<b>56406</b>	NP-2201-0032A
Description: Valve assembly, suction, 1 stage	
Included: Gaskets (2 pcs) NP-2202-0021A	
Recommended: One spare	
<b>56407</b>	NP-2201-0033A
Description: Valve assembly, discharge	
Included: Gaskets (2 pcs) NP-2202-0021A	
Recommended: One spare	
<b>58135</b>	NP-2201-0034A
Description: Valve assembly, discharge, 2 stage	
Included: O-ring NP-2202-0083A	
Recommended: One spare	
<b>58136</b>	NP-2201-0035A
Description: Valve assembly, suction, 2 stage	
Included: O-ring NP-2202-0083A	
Recommended: One spare	
<b>58144</b>	NP-2202-0175A
Description: Gasket, cylinder head, 1 stage	
<b>58232</b>	NP-2201-0130A
Description: Valve insert, discharge	
Included: Valve insert, disc, spring, o-ring, gaskets, cover, tension screw, and nut Recommended: One spare	
<b>58262</b>	NP-2202-0037A
Description: Gasket, cylinder head, 1 stage	
<b>58545</b>	NP-2202-0038A
Description: Gasket, cylinder head	

**To Locate A Dealer Near You**

Call Us Monday - Friday

8:30 am to 5:00 pm Est.

**800-338-5493 or 305-430-0550**

check out our website:

**www.Lawrence-Factor.com**

Fits	NP Number
<b>58855</b>	NP-2201-0132A
Description: Valve assembly, discharge	
Included: Valve insert, disc, spring, o-ring, gaskets, cover, tension screw, and nut Recommended: One spare	
<b>63340</b>	NP-2202-0073A
Description: Gasket, cylinder head, 1 stage	
<b>71064</b>	NP-2205-0177A
Description: Stud, valve tension	
Recommended: One spare	
<b>71064</b>	NP-2205-0177AK
Description: Stud, valve tension	
Recommended: One spare	
<b>71065</b>	NP-2205-0178A
Description: Stud, valve tension, fine	
Recommended: One spare	
<b>71065</b>	NP-2205-0178AK
Description: Stud, valve tension, fine	
Recommended: One spare	
<b>7790</b>	NP-2201-0001A
Description: Valve assembly, suction, final stage	
Required: Valve spanner tool to remove/install	
Recommended: One spare	
<b>82048</b>	NP-2217-0517A
Description: Tool, spanner tool	
<b>9884</b>	NP-2201-0025A
Description: Valve plate, 1 stage	
<b>N00004</b>	NP-2202-0044A
Description: Gasket, oil reg	
Recommended: One spare	
<b>N00084</b>	NP-2205-0075A
Description: Acorn nut	
<b>N02169</b>	NP-2202-0091A
Description: O-ring, suction valve, 1 stage	
<b>N02515</b>	NP-2201-0033A
Description: Valve assembly, discharge	
Included: Gaskets (2 pcs) NP-2202-0021A	
Recommended: One spare	
<b>N02789</b>	NP-2202-0052A
Description: O-ring, final stage	
Recommended: One spare	
<b>N02975</b>	NP-2201-0032A
Description: Valve assembly, suction, 1 stage	
Included: Gaskets (2 pcs) NP-2202-0021A	
Recommended: One spare	
<b>N03224</b>	NP-2202-0044A
Description: Gasket, oil reg	
Recommended: One spare	

## Continuation of Valves

Fits	NP Number
<b>N03520</b>	NP-2205-0102A
Description: Screw, valve tension, intermediate	
Recommended: One spare	
<b>N03521</b>	NP-2202-0103A
Description: O-ring, valve cover	
Recommended: One spare	
<b>N03581</b>	NP-2201-0032A
Description: Valve assembly, suction, 1 stage	
Included: Gaskets (2 pcs) NP-2202-0021A	
Recommended: One spare	
<b>N03623</b>	NP-2205-0107A
Description: Acorn nut	
Recommended: One spare	
<b>N03624</b>	NP-2205-0108A
Description: Screw, valve tension, final	
<b>N03712</b>	NP-2202-0111A
Description: O-ring, valve head, 1 stage	
<b>N04149</b>	NP-2201-0033A
Description: Valve assembly, discharge	
Included: Gaskets (2 pcs) NP-2202-0021A	
Recommended: One spare	
<b>N04670</b>	NP-2201-0118A
Description: Valve assembly, reed, 1 stage	
Recommended: One spare	
<b>N15272</b>	NP-2201-0033A
Description: Valve assembly, discharge	
Included: Gaskets (2 pcs) NP-2202-0021A	
Recommended: One spare	
<b>N15275</b>	NP-2201-0032A
Description: Valve assembly, suction, 1 stage	
Included: Gaskets (2 pcs) NP-2202-0021A	
Recommended: One spare	
<b>N2169</b>	NP-2202-0091A
Description: O-ring, suction valve, 1 stage	
<b>N2515</b>	NP-2201-0033A
Description: Valve assembly, discharge	
Included: Gaskets (2 pcs) NP-2202-0021A	
Recommended: One spare	
<b>N2789</b>	NP-2202-0052A
Description: O-ring, final stage	
Recommended: One spare	
<b>N2975</b>	NP-2201-0032A
Description: Valve assembly, suction, 1 stage	
Included: Gaskets (2 pcs) NP-2202-0021A	
Recommended: One spare	

Fits	NP Number
<b>N3224</b>	NP-2202-0044A
Description: Gasket, oil reg	
Recommended: One spare	
<b>N3520</b>	NP-2205-0102A
Description: Screw, valve tension, intermediate	
Recommended: One spare	
<b>N3521</b>	NP-2202-0103A
Description: O-ring, valve cover	
Recommended: One spare	
<b>N3581</b>	NP-2201-0032A
Description: Valve assembly, suction, 1 stage	
Included: Gaskets (2 pcs) NP-2202-0021A	
Recommended: One spare	
<b>N3623</b>	NP-2205-0107A
Description: Acorn nut	
Recommended: One spare	
<b>N3624</b>	NP-2205-0108A
Description: Screw, valve tension, final	
<b>N3712</b>	NP-2202-0111A
Description: O-ring, valve head, 1 stage	
<b>N4</b>	NP-2202-0044A
Description: Gasket, oil reg	
Recommended: One spare	
<b>N4149</b>	NP-2201-0033A
Description: Valve assembly, discharge	
Included: Gaskets (2 pcs) NP-2202-0021A	
Recommended: One spare	
<b>N4670</b>	NP-2201-0118A
Description: Valve assembly, reed, 1 stage	
Recommended: One spare	
<b>N84</b>	NP-2205-0075A
Description: Acorn nut	

**Finding New Parts™**

With worldwide representatives, you can locate New Parts™ almost anywhere or enlist a service-tech to complete the repair. Contact customer service via e-mail:

**info@Compressor-Parts.com**

or

**305-430-0550**

in order to find a New Parts™ agent near you.



## VALVE HEADS

Like the cylinder head on any machine - a compressor head fitted to a Bauer® Compressor expects to do a ton of grunt work. And “ton” accurately sums up the load that the head must bear - many tons, in fact. And when you consider that some high-pressure heads work at up to 6000 psi - that’s as much as 3 tons of force on every square inch of surface! Here are the reasons New Part™ valve heads will endure that force:

- Created of **SOLID INGOT OF AEROSPACE ALUMINUM** - by precision machining rather than less solid casting methods.
- **ALL THREADED AREAS ARE SPUN INTO THE HEAD** by tool interpolation. This allows us to maintain thread accuracy much better than using a tap, which is subject to wear. Every single thread is then checked with an inspection gauge.
- In many cases, hard coatings are applied to outer surfaces. **THIS “SKIN” PROMOTES LONGER LIFE DUE TO RESISTANCE AGAINST CORROSION AND GAULING.**



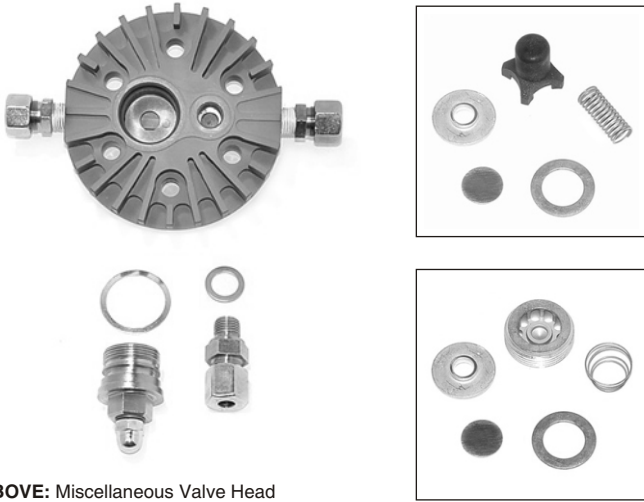
ABOVE: Assortment of Valve Heads

**ALL PRE-ASSEMBLED HEADS INCLUDE VALVES, GASKETS, FITTINGS, HEAD BOLTS, AND HEAD GASKET (WHEN CALLED FOR)**

Fits	NP Number
<b>014086</b>	NP-2216-0181A
Description: Interstage Cylinder Head, complete assembly, 2 stage	
Included: Valve and gaskets, fittings, & head bolts Required: Gasket sealant	
<b>014087</b>	NP-2216-0064A
Description: Interstage Head, complete assembly, 4 hole	
Included: Valves and gaskets, head gasket, fittings, & head bolts Required: Gasket sealant	
<b>014089</b>	NP-2216-0065A
Description: Final Cylinder Head, complete assembly	
Included: Valve and gaskets, fittings, & head bolts	

Fits	NP Number
<b>014117</b>	NP-2216-0026A
Description: Final Cylinder Head, bare valve body	
Recommended: One spare	
<b>014118</b>	NP-2216-0027A
Description: Final Cylinder Head, cover only	
<b>014123</b>	NP-2216-0066A
Description: Interstage Cylinder Head, bare valve body only	
Recommended: One spare Note: Six (6) hole bolt pattern	
<b>014125</b>	NP-2216-0067A
Description: Interstage Cylinder Head, bare valve body only	
Recommended: One spare Note: Four (4) hole bolt pattern	
<b>014696</b>	NP-2216-0069A
Description: Interstage Cylinder Head, complete assembly, 2 stage	
Included: Valve and gaskets, fittings, & head bolts Required: Gasket sealant	
<b>057057</b>	NP-2216-0071A
Description: Final Cylinder Head, complete assembly	
Included: Valve and gaskets, fittings, & head bolts	
<b>057058</b>	NP-2216-0072A
Description: Final Cylinder Head, complete assembly	
Included: Valve and gaskets, fittings, & head bolts	
<b>058245</b>	NP-2216-0143A
Description: Interstage Cylinder Head, complete assembly, 3 stage (6 hole)	
Included: Valve and gaskets, fittings, & head bolts Required: Gasket sealant	
<b>058261</b>	NP-2216-0374A
Description: Interstage Cylinder Head, bare valve body only, 1stage	
<b>065191</b>	NP-2216-0026A
Description: Final Cylinder Head, bare valve body	
<b>068625</b>	NP-2216-0182A
Description: Interstage Cylinder Head, complete assembly, 3 stage (6 hole)	
Included: Valve and gaskets, fittings, & head bolts Required: Gasket sealant	
<b>069793</b>	NP-2216-0183A
Description: Final Cylinder Head, complete assembly	
Included: Valve and gaskets, fittings, & head bolts	
<b>069954</b>	NP-2216-0176A
Description: Cylinder Head, complete assembly	
Included: Valve and gaskets, fittings, & head bolts Required: Gasket sealant	

Continuation of Valve Heads



**ABOVE:** Miscellaneous Valve Head  
**RIGHT:** Miscellaneous Valve Components

Fits	NP Number
<b>069977</b>	NP-2216-0375A
Description: Interstage Cylinder Head, bare valve body only, 1stage	
<b>14085</b>	NP-2216-0182A
Description: Interstage Cylinder Head, complete assembly, 3 stage (6 hole)	
Included: Valve and gaskets, fittings, & head bolts Required: Gasket sealant	
<b>14086</b>	NP-2216-0181A
Description: Interstage Cylinder Head, complete assembly, 2 stage	
Included: Valve and gaskets, fittings, & head bolts Required: Gasket sealant	
<b>14087</b>	NP-2216-0064A
Description: Interstage Head, complete assembly, 4 hole	
Included: Valves and gaskets, head gasket, fittings, & head bolts Required: Gasket sealant	
<b>14089</b>	NP-2216-0065A
Description: Final Cylinder Head, complete assembly	
Included: Valve and gaskets, fittings, & head bolts	
<b>14117</b>	NP-2216-0026A
Description: Final Cylinder Head, bare valve body	
Recommended: One spare	
<b>14118</b>	NP-2216-0027A
Description: Final Cylinder Head, cover only	
<b>14123</b>	NP-2216-0066A
Description: Interstage Cylinder Head, bare valve body only	
Recommended: One spare Note: Six (6) hole bolt pattern	

Fits	NP Number
<b>14125</b>	NP-2216-0067A
Description: Interstage Cylinder Head, bare valve body only	
Recommended: One spare Note: Four (4) hole bolt pattern	
<b>14696</b>	NP-2216-0069A
Description: Interstage Cylinder Head, complete assembly, 2 stage	
Included: Valve and gaskets, fittings, & head bolts Required: Gasket sealant	
<b>57057</b>	NP-2216-0071A
Description: Final Cylinder Head, complete assembly	
Included: Valve and gaskets, fittings, & head bolts	
<b>57058</b>	NP-2216-0072A
Description: Final Cylinder Head, complete assembly	
Included: Valve and gaskets, fittings, & head bolts	
<b>58245</b>	NP-2216-0143A
Description: Interstage Cylinder Head, complete assembly, 3 stage (6 hole)	
Included: Valve and gaskets, fittings, & head bolts Required: Gasket sealant	
<b>58261</b>	NP-2216-0374A
Description: Interstage Cylinder Head, bare valve body only, 1 stage	
<b>65191</b>	NP-2216-0026A
Description: Final Cylinder Head, bare valve body	
Recommended: One spare	
<b>68231</b>	NP-2216-0071A
Description: Final Cylinder Head, complete assembly	
Included: Valve and gaskets, fittings, & head bolts	
<b>68625</b>	NP-2216-0182A
Description: Interstage Cylinder Head, complete assembly, 3 stage (6 hole)	
Included: Valve and gaskets, fittings, & head bolts Required: Gasket sealant	
<b>69791</b>	NP-2216-0181A
Description: Interstage Cylinder Head, complete assembly, 2 stage	
Included: Valve and gaskets, fittings, & head bolts Required: Gasket sealant	
<b>69792</b>	NP-2216-0182A
Description: Interstage Cylinder Head, complete assembly, 3 stage (6 hole)	
Included: Valve and gaskets, fittings, & head bolts Required: Gasket sealant	
<b>69793</b>	NP-2216-0183A
Description: Final Cylinder Head, complete assembly	
Included: Valve and gaskets, fittings, & head bolts	

Continuation of Valve Heads

Fits	NP Number
<b>69954</b>	NP-2216-0176A
Description: Interstage Cylinder Head, complete assembly, 2 stage (6 hole)	
Included: Valve and gaskets, fittings, & head bolts Required: Gasket sealant	
<b>69977</b>	NP-2216-0375A
Description: Interstage Cylinder Head, bare valve body only, 1 stage	
<b>73628</b>	NP-2216-0071A
Description: Final Cylinder Head, complete assembly	
Included: Valve and gaskets, fittings, & head bolts	
<b>73629</b>	NP-2216-0176A
Description: Interstage Cylinder Head, complete assembly, 2 stage (6 hole)	
Included: Valve and gaskets, fittings, & head bolts Required: Gasket sealant	

MISCELLANEOUS



ABOVE: Assortment of Fan Blades

Fits	NP Number
<b>055459</b>	NP-2204-0361A
Description: Fan blade, fits K14 model Recommended: 18 spare	
<b>055460</b>	NP-2204-0360A
Description: Fan blade, fits K15, K18, K150, K180 models Recommended: 18 spare	
<b>55459</b>	NP-2204-0361A
Description: Fan blade, fits K14 model Recommended: 18 spare	
<b>55460</b>	NP-2204-0360A
Description: Fan blade, fits K15, K18, K150, K180 models Recommended: 18 spare	

METRIC FITTINGS



ABOVE: Assortment of Fittings

Fits	NP Number
<b>CON-0266</b>	NP-2214-0123A
Description: Fitting, male connector, 12 mm LL Recommended: One spare	
<b>N03608</b>	NP-2214-0105A
Description: Fitting, compression nut, 12 mm LL Recommended: One spare	
<b>N03609</b>	NP-2214-0106A
Description: Fitting, ferulle, 12 mm LL Recommended: Two spare	
<b>N07441</b>	NP-2214-0483A
Description: Fitting, ferulle, breather tube	
<b>N07838</b>	NP-2214-0123A
Description: Fitting, male connector, 12 mm LL Recommended: One spare	
<b>N15400</b>	NP-2214-0123A
Description: Fitting, male connector, 12 mm LL Recommended: One spare	
<b>N20209</b>	NP-2214-0171A
Description: Fitting, final discharge, 8 mm S Recommended: One spare	
<b>N20341</b>	NP-2214-0123A
Description: Fitting, male connector, 12 mm LL Recommended: One spare	
<b>N3418</b>	NP-2214-0123A
Description: Fitting, male connector, 12 mm LL Recommended: One spare	
<b>N3608</b>	NP-2214-0105A
Description: Fitting, compression nut, 12 mm LL Recommended: One spare	
<b>N3609</b>	NP-2214-0106A
Description: Fitting, ferulle, 12 mm LL Recommended: Two spare	
<b>N7441</b>	NP-2214-0483A
Description: Fitting, ferulle, breather tube	

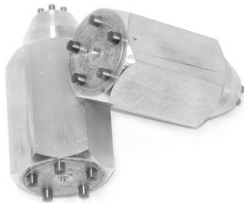




## Continuation of Metric Fittings

Fits	NP Number
<b>N7838</b>	NP-2214-0123A
Description: Fitting, male connector, 12 mm LL	
Recommended: One spare	
<b>NUT-0013</b>	NP-2214-0105A
Description: Fitting, compression nut, 12 mm LL	
Recommended: One spare	

## SPECIALTY TOOLS



ABOVE: Spanner Wrench

Fits	NP Number
<b>004555</b>	NP-2217-0009A
Description: Tool, valve spanner	
Recommended: One spare	
<b>082048</b>	NP-2217-0517A
Description: Tool, valve spanner	
Recommended: One spare	
<b>4555</b>	NP-2217-0009A
Description: Tool, valve spanner	
Recommended: One spare	
<b>82048</b>	NP-2217-0517A
Description: Tool, valve spanner	
Recommended: One spare	

## Finding New Parts™

With worldwide representatives, you can locate New Parts™ almost anywhere or enlist a service-tech to complete the repair. Contact customer service via e-mail:  
**info@Compressor-Parts.com**  
 or  
**305-430-0550**  
 in order to find a New Parts™ agent near you.

## COMPRESSOR GREASES

**Aero** Lube™



Pure and clean - Aero Lube™ is a jelly - like grease which is ideal for lubricating o-rings and threaded parts in sterile or breathing air systems.

**Composition:** Silicone Jelly **Typical Application:** Lubrication

Fits	NP Number
<b>N/A</b>	CL-581202-PT
Description: AeroLube Grease, 2 oz	
Note: Silicone based for sanitary uses	

**Oxy** Lube™



Safe with oxygen or in use with oxygen handling equipment - OxyLube™ is a paste like compound which is inert in Oxygen atmospheres. Great for lubricating seals & moving parts such as valve stems.

**Composition:** Paste **Typical Application:** O<sub>2</sub> Handling Equipment

Fits	NP Number
<b>N/A</b>	CL-581002-PT
Description: OxyLube Grease, 2 oz	
Note: Compatible with pure oxygen	



## COMPRESSOR OILS

**Lawrence Factor's Lubricating Oils** are selected blends, which are ideal for use in high-purity, high-pressure, air & gas compressors. Many years of service have proven SecoLube™ to provide excellent protection against friction and wear - even under the heaviest usage. All grades are low-foaming, separate easily from air/gas, & resist high-temperature deposits.



ABOVE: AeroLube™, OxyLube™, & SecoLube™

**Seco 550**™  
Petroleum Based Oil

**BETTER**

**Natural Compressor Lube**

A highly stable extract of pure oils, obtained from a petroleum source - SecoLube 550™ is ideal for break-in periods of new or newly rebuilt compressors. Provides excellent protection against carbonizing and corrosion. It disperses water and resists oxidation, sludge, and wear.

- Recommended For Break-In Periods
- Low Foaming
- Resists Carbonizing
- Protects Against Oxidation

<b>TYPE</b>	Natural	<b>VISCOSITY</b>	30
<b>BASE</b>	VI	<b>FLASH POINT</b>	460°F

**Seco 500**™  
Petroleum Based Oil

**BEST**

**Synthetic Compressor Lube**

Synthesized under laboratory scrutiny, this is the purest lube was offer. SecoLube 500™ is hearty too - designed to endure the roughest of operating conditions and to outlast even the sturdiest natural lubricant. It provides extended protection against carbonizing, remains stable in the presence of contaminants, and maintains superior lubricating properties throughout its life.

- Recommended For Extended Running
- Endures At Higher Temperatures
- Neutralizes Corrosives & Controls Carbon Deposits
- Extends Valve Life

<b>TYPE</b>	Synthetic	<b>VISCOSITY</b>	30-40
<b>BASE</b>	Diester	<b>FLASH POINT</b>	520°F

**Seco 525**™  
Petroleum Based Oil

**BETTER**

**Hybrid Compressor Lube**

This lube is a specially prepared blend whose origins are natural yet, due to a balanced additive system, exhibits many characteristics of a synthetic. With its enhanced lubrication properties, SecoLube 525 will keep your compressor running smoothly and almost deposit free over extended periods. The properties which extend life expectancies in new machines also help to rejuvenate older equipment. Protects against thickening, withstands higher running temperatures, disperses water, sludge, and carbon.

- Recommended For Continuous Running
- Low Foaming
- Neutralizes Corrosives & Controls Carbon Deposits
- Extends Valve Life

<b>TYPE</b>	Enhanced Natural	<b>VISCOSITY</b>	0
<b>BASE</b>	0	<b>FLASH POINT</b>	0°F



Continuation of Compressor Oils

Fits	NP Number
N/A	CL-581512-LQ
Description: SecoLube 550, Natural Compressor Lubricant, Quart	
Note: Recommended for most brands of HP recip compressors	
N/A	CL-581515-LQ
Description: SecoLube 550, Natural Compressor Lubricant, Gallon	
Note: Recommended for most brands of HP recip compressors	
N/A	CL-581525-LQ
Description: SecoLube 550, Natural Compressor Lubricant, Gallon	
Note: Recommended for most brands of HP recip compressors	
N/A	CL-581555-LQ
Description: SecoLube 550, Natural Compressor Lubricant, Drum (55 Gallon)	
Note: Recommended for most brands of HP recip compressors	
N/A	CL-581612-LQ
Description: SecoLube 525, Blend Lubricant, Quart	
Note: Recommended for most brands of HP recip compressors	
N/A	CL-581615-LQ
Description: SecoLube 525, Blend Lubricant, Gallon	
Note: Recommended for most brands of HP recip compressors	
N/A	CL-581655-LQ
Description: SecoLube 525, Blend Lubricant, Drum (55 Gallon)	
Note: Recommended for most brands of HP recip compressors	
N/A	CL-581812-LQ
Description: SecoLube 500, Synthetic Compressor Lubricant, Quart	
Note: Recommended for most brands of HP recip compressors	
N/A	CL-581815-LQ
Description: SecoLube 500, Synthetic Compressor Lubricant, Gallon	
Note: Recommended for most brands of HP recip compressors	

Fits	NP Number
N/A	CL-581825-LQ
Description: SecoLube 500, Synthetic Compressor Lubricant, Gallon	
Note: Recommended for most brands of HP recip compressors	
N/A	CL-581855-LQ
Description: SecoLube 500, Synthetic Compressor Lubricant, Drum (55 Gallon)	
Note: Recommended for most brands of HP recip compressors	

